



PDV-T790

SER VICE MANUAL

Catalogue

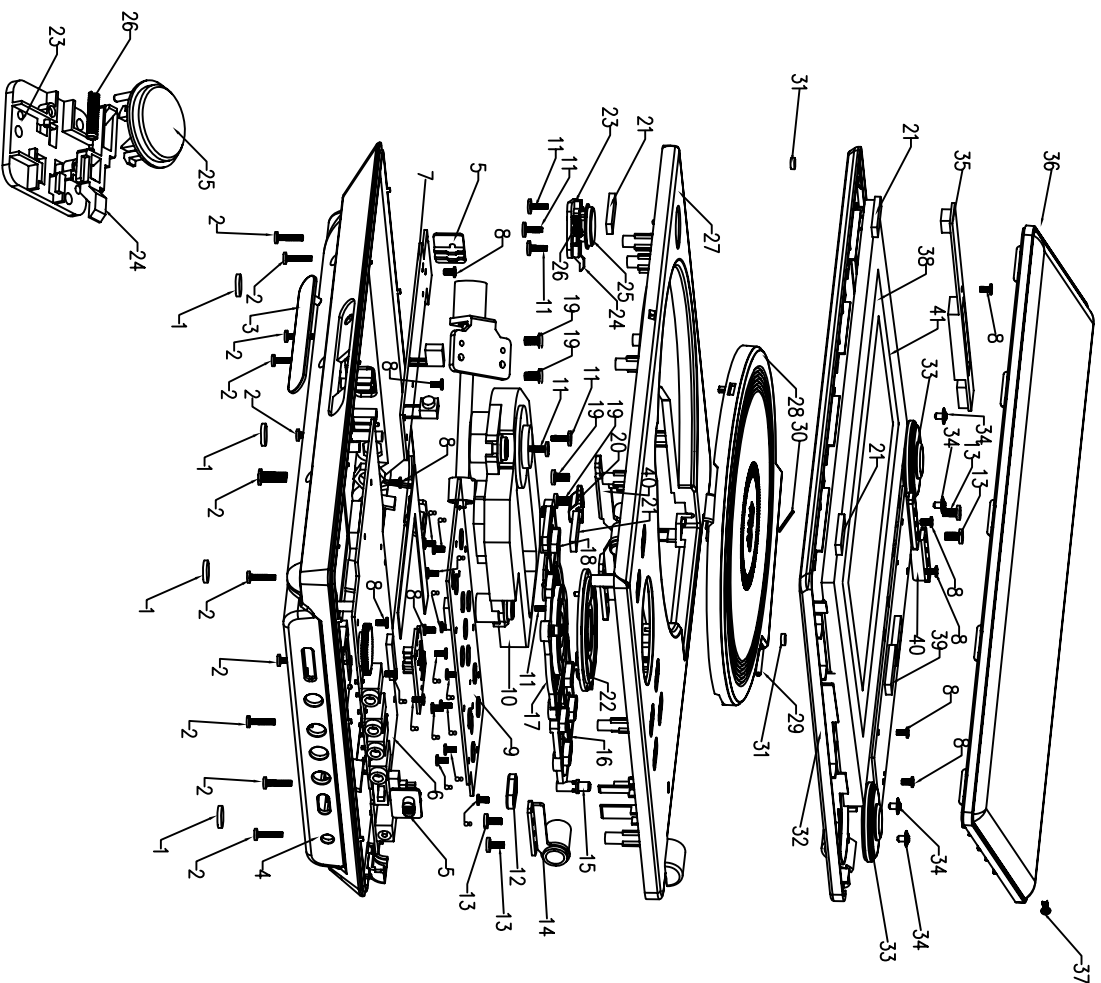
EXPLODE VIEW _____ P2-P2

Schematic/PCB _____ P3-P20

Bill of material _____ P21-P42

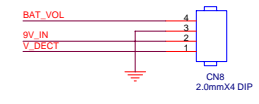
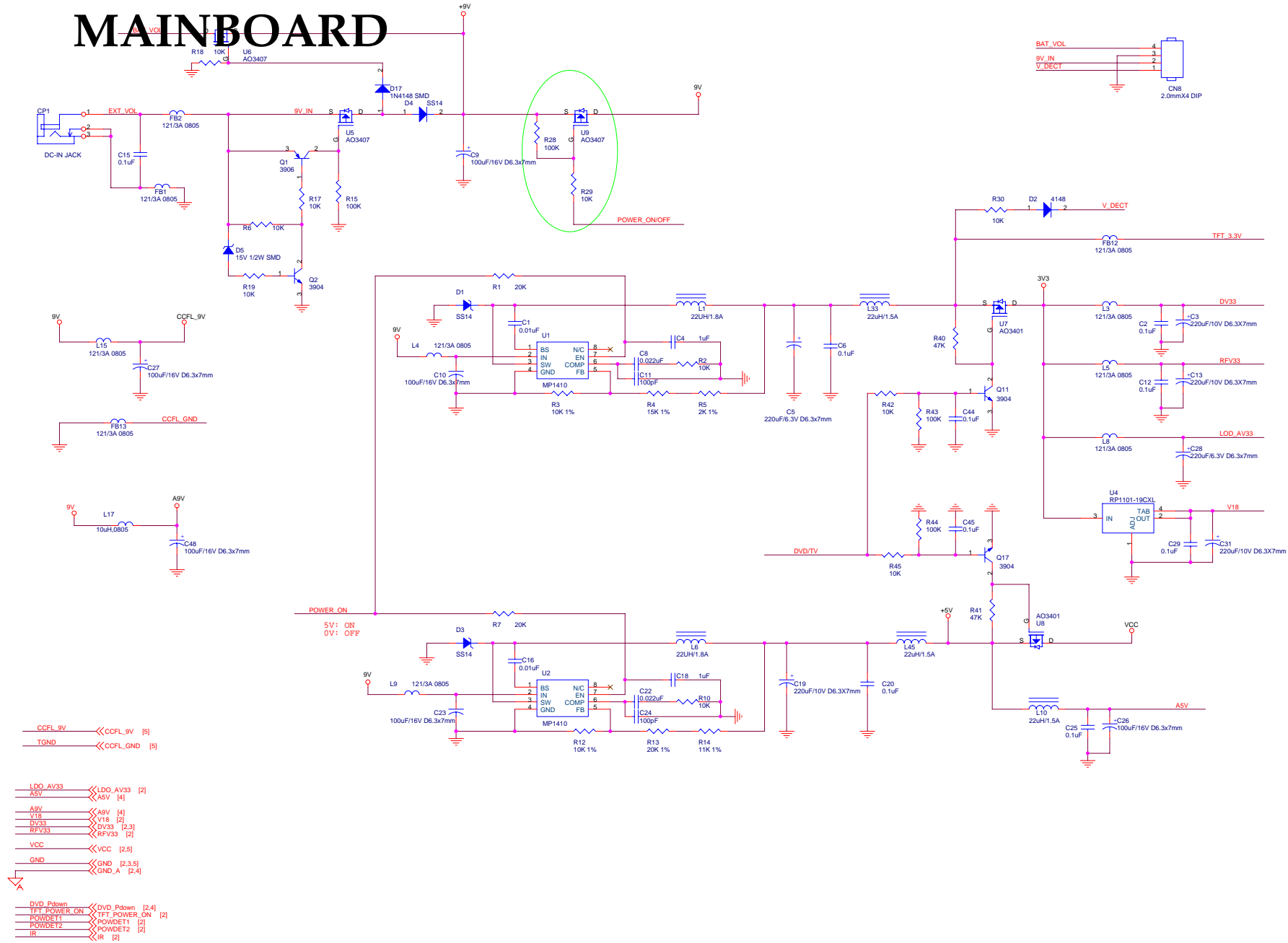


115H—主机装配图



- 1、3010-P102000-001 DAMPER LOW BASE X 4PCS
- 2、39CB-01710040-NH0 SCREW-LOW BASE M1.7 X 10MM "HARDEN" X 13PCS
- 3、2712-P105000-001 REMOTE RECEIVE LENS X 1PCS
- 4、2702-P105000-002 MAIN LOW BASE DVD X 1PCS
- 5、2708-P1050000-004 AV "IN/OUT" & "POWER ON/OFF" BUTTON X 2PCS
- 6、MAIN PCB X 1PCS
- 7、LED PCB X 1PCS
- 8、38CB-01703538-NH0 SCREW CB 1.7 X 3.5MM "HARDEN" X 25PCS
- 9、KEY PCB X 1PCS
- 10、MECHA X 1PCS
- 11、39CB-01706050-NH0 SCREW CB 1.7 X 6.0MM "HARDEN" X 6PCS
- 12、2710-P102000-001 LCD REST KEY HOLDER X 1PCS
- 13、39CM-02505050-NH0 SCREW CM2.5 X 5.0MM "HARDEN" X 4PCS
- 14、3229-P1050000-002 MONITOR & MAIN HINGE(RIGHT) X 1PCS
- 15、2722-P102000-004 LCD RESET KEY X 1PCS
- 16、2708-P105000-002 PLAY/PAUSE KEY X 1PCS
- 17、2708-P105000-001 OK/DIRECTION KEY X 1PCS
- 18、2708-P105000-003 MENU KEY X 1PCS
- 19、39CB-02005350 SCREW CB2.0 X 5.3MM "HARDEN" X 4PCS
- 20、2710-P1050000-001 CD DOOR SHAFT HOLDER X 2PCS
- 21、4501-12025000-001 MAGNET X 4PCS
- 22、2710-P1050000-002 ENTER KEY HOLDER X 1PCS
- 23、2706-P1050000-002 CD DOOR OPEN BUTTON COVER X 1PCS
- 24、2722-P1050000-001 CD DOOR OPEN BUTTON LOOK X 1PCS
- 25、2708-P1050000-005 CD DOOR OPEN BUTTON X 1PCS
- 26、3505-P1050030-001 CD DOOR LOCK PRESSURE SPRING X 1PCS
- 27、2701-P1050000-001 MAIN TOP BASE X 1PCS
- 28、01.2706-P1150000-001 CD DOOR X 1PCS
- 29、3926-P1050000-001 CD DOOR SHAFT X 1PCS
- 30、3506-P1050060-001 CD DOOR TORQUE SPRING X 1PCS
- 31、3020-P1050000-001 ADHESIVED TAPE CUSHION FOR MONITOR X 2PCS
- 32、2701-P1050001-003 MONITOR FRONT BASE X 1PCS
- 33、SPEAKER DIA. 28.0MM X 2PCS
- 34、39PW-01703056-NH0 SCREW PWB1.7 X 3.0MM "HARDEN" X 4PCS
- 35、MONITOR HV PCB X 1PCS
- 36、01.2702-P1150001-001 MONITOR BACK BASE X 1PCS
- 37、39CB-01705030-NH0 SCREW CB1.7 X 5.0MM "HARDEN" X 5PCS
- 38、PANASONIC LCD X 1PCS
- 39、MINOTOR MAIN PCB X 1PCS
- 40、3229-P1050000-001 MONITOR & MAIN HINGE (LEFT) X 1PCS
- 41、1518-17009501 BACK LIGHT PAPER X 1PCS
- 42、ANTENNA JACK X 1PCS

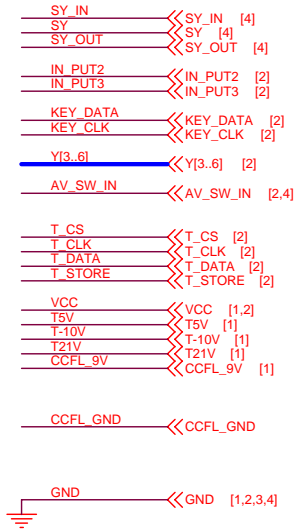
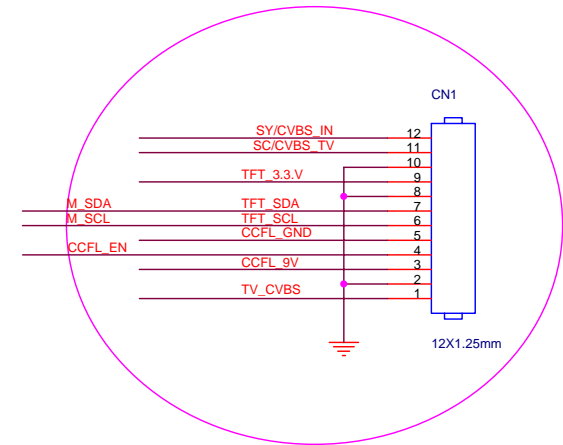
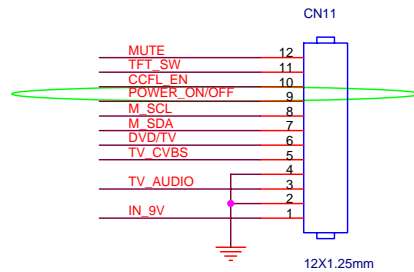
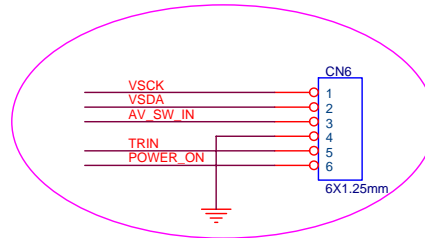
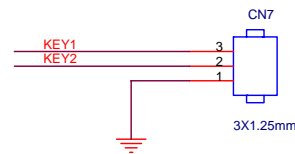
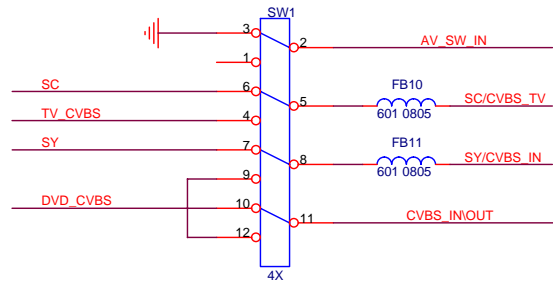
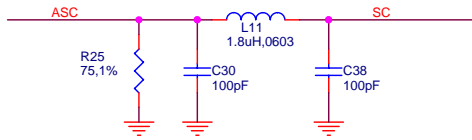
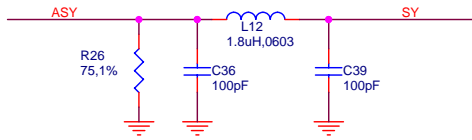
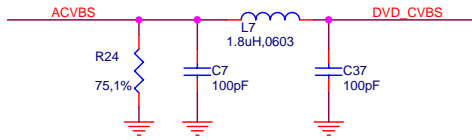
MAINBOARD



- CCFL_9V << CCFL_9V [5]
- TGND << CCFL_GND [5]
- LDO_AV33 << LDO_AV33 [2]
- A5V << A5V [4]
- A9V << A9V [4]
- V18 << V18 [2]
- DV33 << DV33 [2,3]
- RFV33 << RFV33 [2]
- VCC << VCC [2,5]
- GND << GND [2,3,5]
- GND_A << GND_A [2,4]
- DVD_Pdown << DVD_Pdown [2,4]
- TFT_POWER_ON << TFT_POWER_ON [2]
- POWDET1 << POWDET1 [2]
- POWDET2 << POWDET2 [2]
- IR << IR [2]

| | | | |
|-------|------------------------------|-------|------------|
| Title | <Title> | Rev | <Rev Code> |
| Size | Document Number | | |
| C | <Doc> | | |
| Date: | Saturday, September 23, 2006 | Sheet | 1 of 5 |

MAINBOARD



| | | |
|---------|------------------------------|--------------|
| Title | | |
| <Title> | | |
| Size | Document Number | Rev |
| B | <Doc> | <Rev Code> |
| Date: | Saturday, September 23, 2006 | Sheet 1 of 1 |

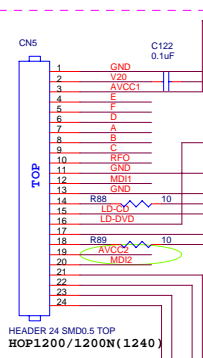
MAINBOARD

MT1389E

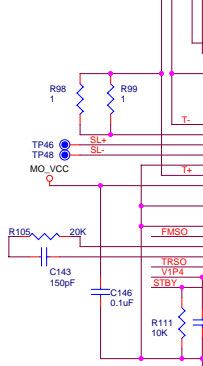
Pin Assignment v1.4

| | |
|----|---------------|
| 2 | GND |
| 3 | Va(Vcc) |
| 4 | Vcc |
| 5 | F |
| 6 | A |
| 7 | D |
| 8 | B |
| 9 | MB |
| 10 | MC |
| 11 | MA |
| 12 | SA |
| 13 | SB |
| 14 | SC |
| 15 | SD |
| 16 | CFON |
| 17 | CFOP |
| 18 | TNI |
| 19 | TP1 |
| 20 | MDI1 |
| 21 | MDI2 |
| 22 | LD02 |
| 23 | LD01 |
| 24 | SVD03 |
| 25 | CSORFOP |
| 26 | RFLV/RFON |
| 27 | SGND |
| 28 | V2REF0 |
| 29 | V20 |
| 30 | VREF0 |
| 31 | FEO |
| 32 | FEE |
| 33 | TEO |
| 34 | TEZSLV |
| 35 | OP_OUT |
| 36 | OP_INN |
| 37 | OP_INP |
| 38 | DMO |
| 39 | FMO |
| 40 | TROPENPWM |
| 41 | PWMOUT1/ADINO |
| 42 | FOO |
| 43 | FOO |
| 44 | ADIN |
| 45 | FG/ADIN1 |
| 46 | GPIO0V/SYNG# |
| 47 | GPIO1HSYNG# |
| 48 | IA2 |
| 49 | DVDD18 |
| 50 | IOA3 |
| 51 | IOA4 |
| 52 | IOA5 |
| 53 | IOA6 |
| 54 | IOA7 |
| 55 | IOA7 |
| 56 | IOA7 |

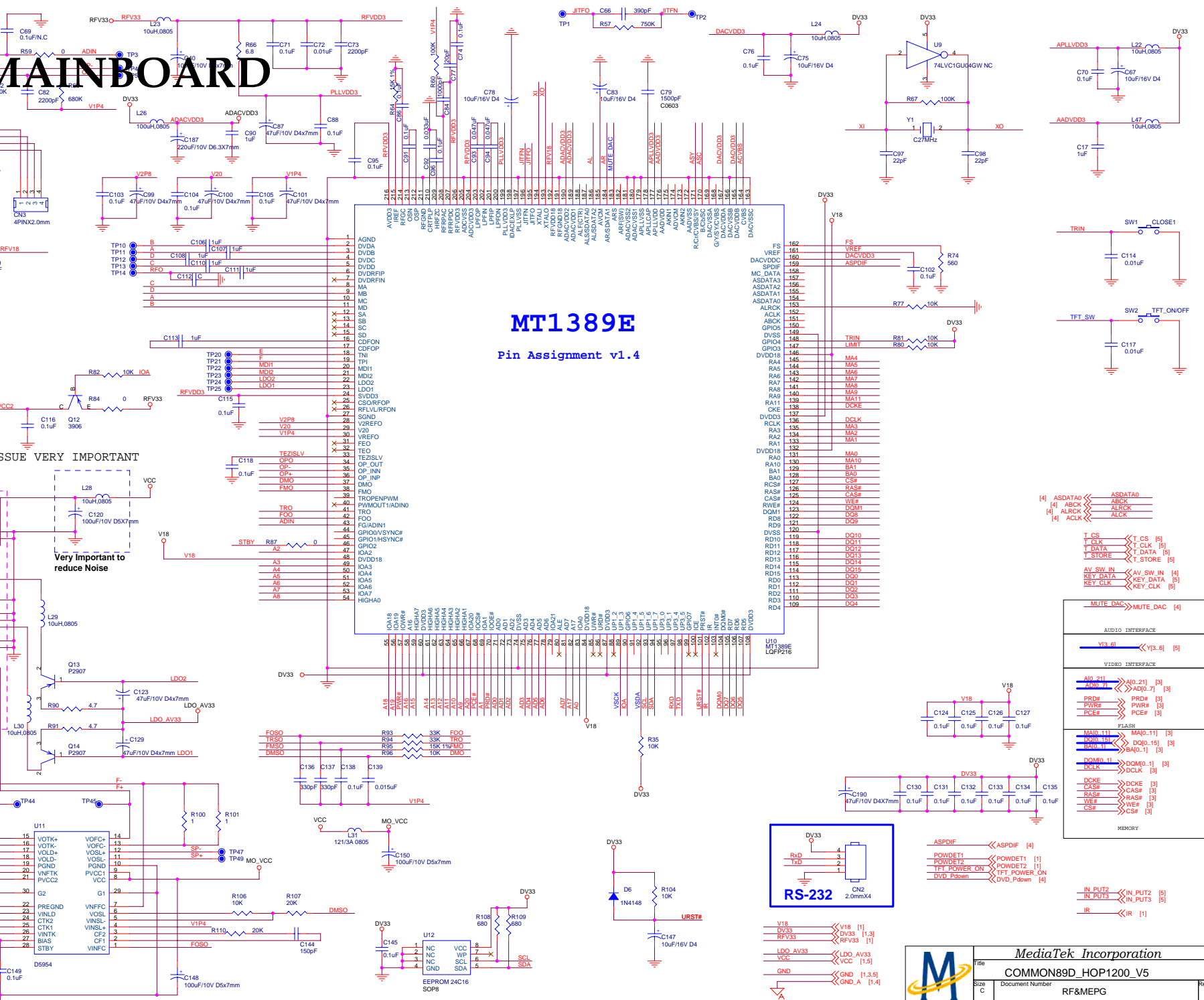
HITACHI
HOP1200/1200N(1240)



HEADER 24 SMD0.5 TOP
HOP1200/1200N(1240)



EEPROM 24C16
SOP8



EMI ISSUE VERY IMPORTANT

Very important to reduce Noise

- [4] ASDATA0 << ASDATA0
- [4] ABCK << ABCK
- [4] ALRCK << ALRCK
- [4] ALCK << ALCK

- T_CS << T_CS [5]
- T_CLK << T_CLK [5]
- T_DATA << T_DATA [5]
- T_STORE << T_STORE [5]

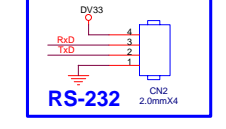
- AV_SW_IN << AV_SW_IN [4]
- KEY_DATA << KEY_DATA [5]
- KEY_CLK << KEY_CLK [5]

- MUTE_DAC << MUTE_DAC [4]
- Y3_6I << Y3_6I [5]

- AIO_21I << AIO_21I [3]
- ADIO_7I << ADIO_7I [3]
- PRD# << PRD# [3]
- PWR# << PWR# [3]
- PCF# << PCF# [3]

- MA0_11I << MA0_11I [3]
- MA0_13I << MA0_13I [3]
- BA0_1I << BA0_1I [3]
- DOM0_1I << DOM0_1I [3]
- DCLK << DCLK [3]
- DCKE << DCKE [3]
- CS# << CS# [3]
- RAS# << RAS# [3]
- WE# << WE# [3]
- CS# << CS# [3]

- IN_PUT2 << IN_PUT2 [5]
- IN_PUT3 << IN_PUT3 [5]
- IR << IR [1]



MediaTek Incorporation

File: COMMON89D_HOP1200_V5

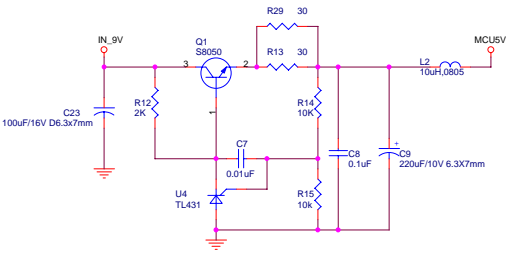
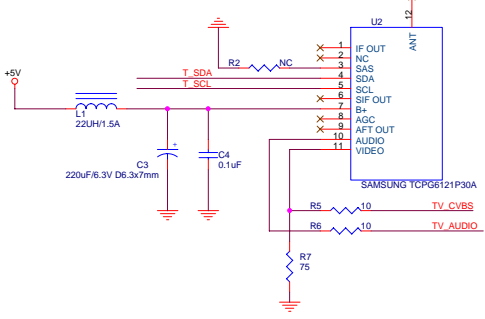
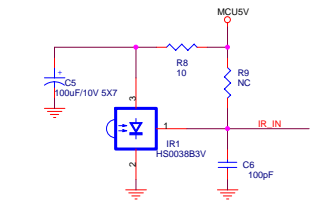
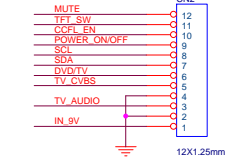
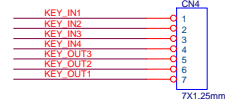
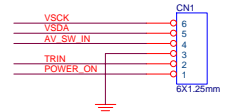
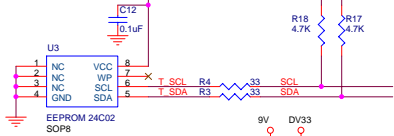
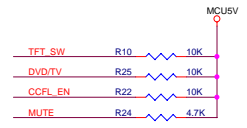
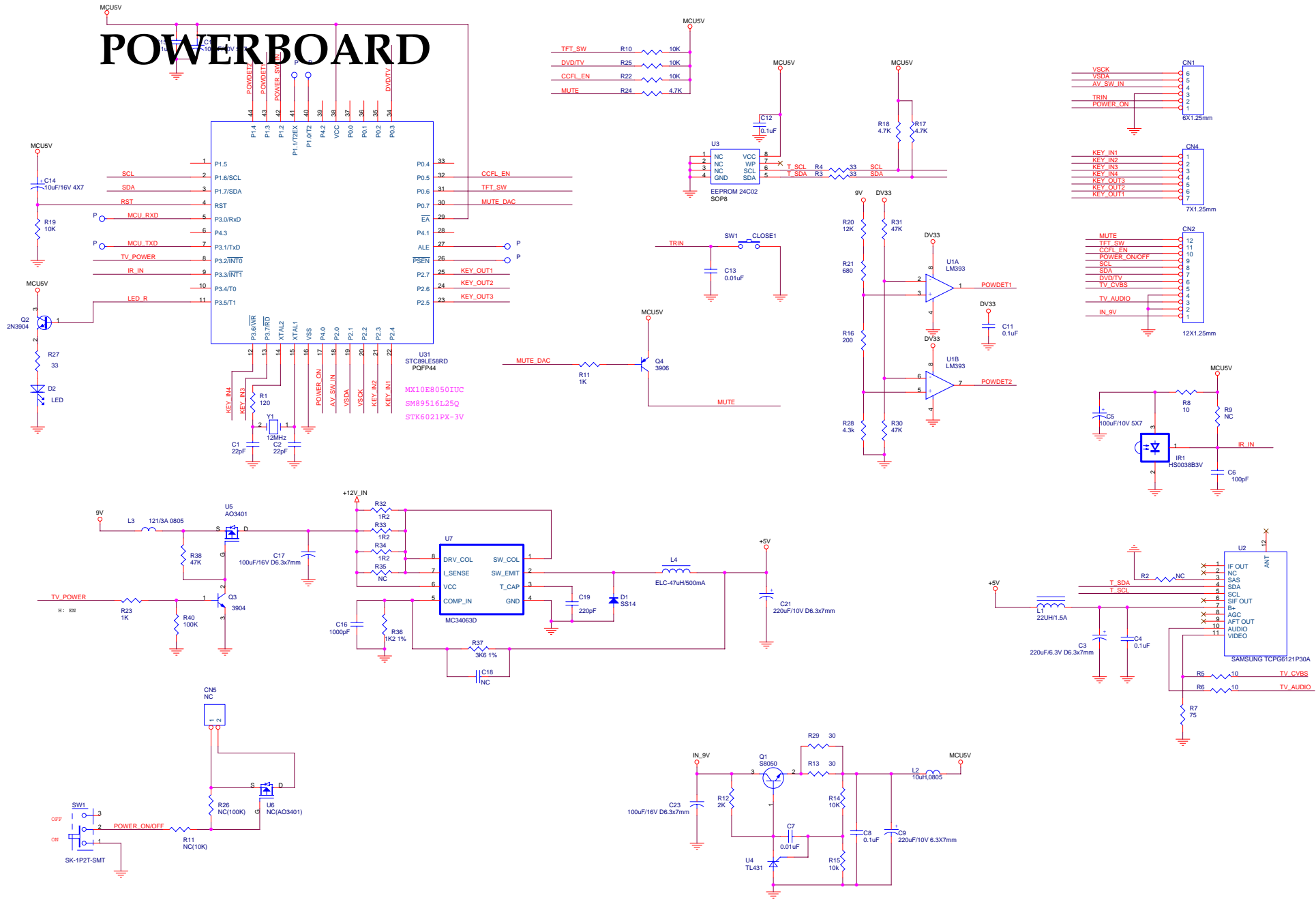
Size: Document Number

C: RF&MEPG

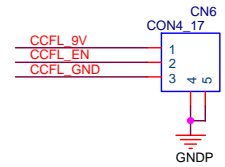
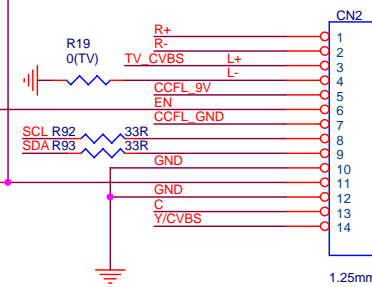
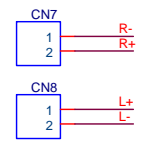
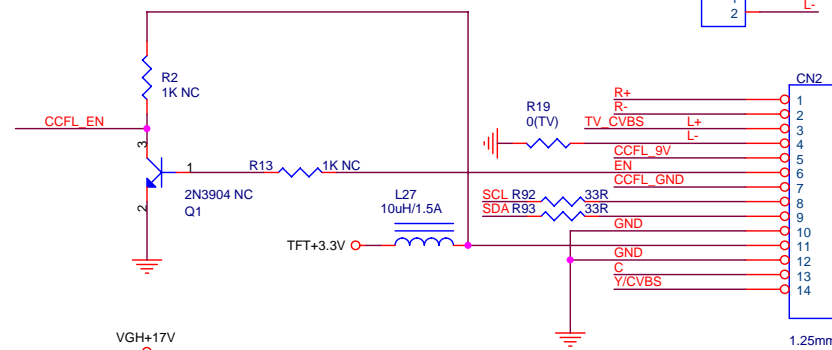
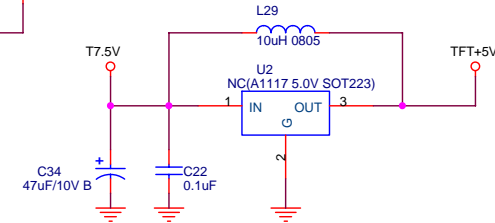
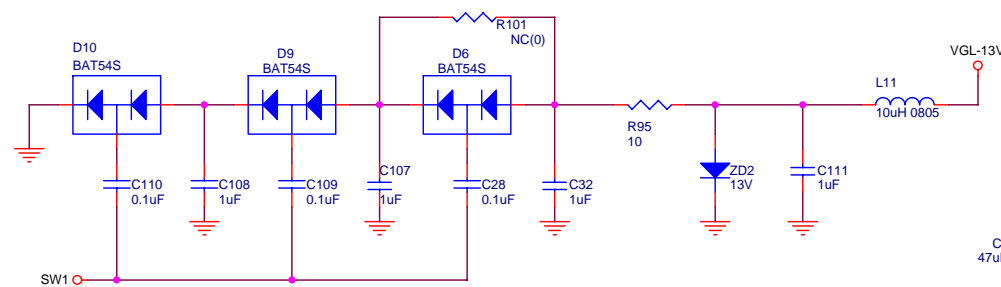
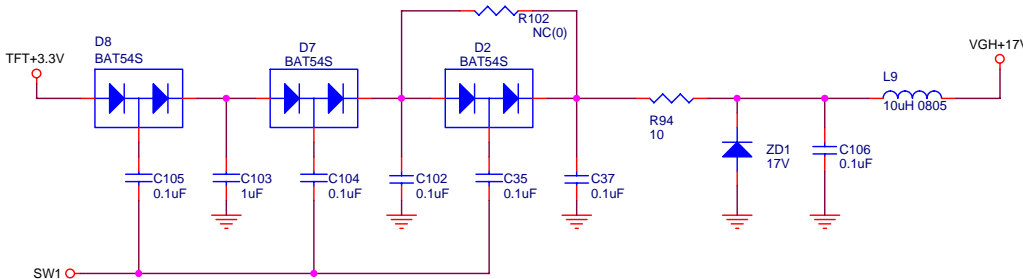
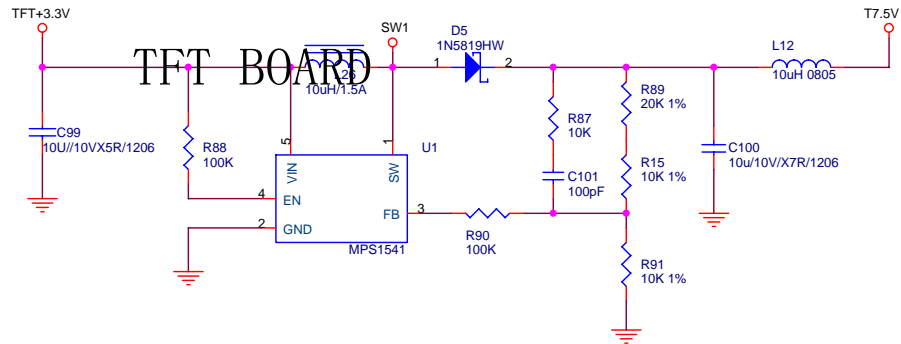
Date: Saturday, September 23, 2006

Sheet: 2 of 5

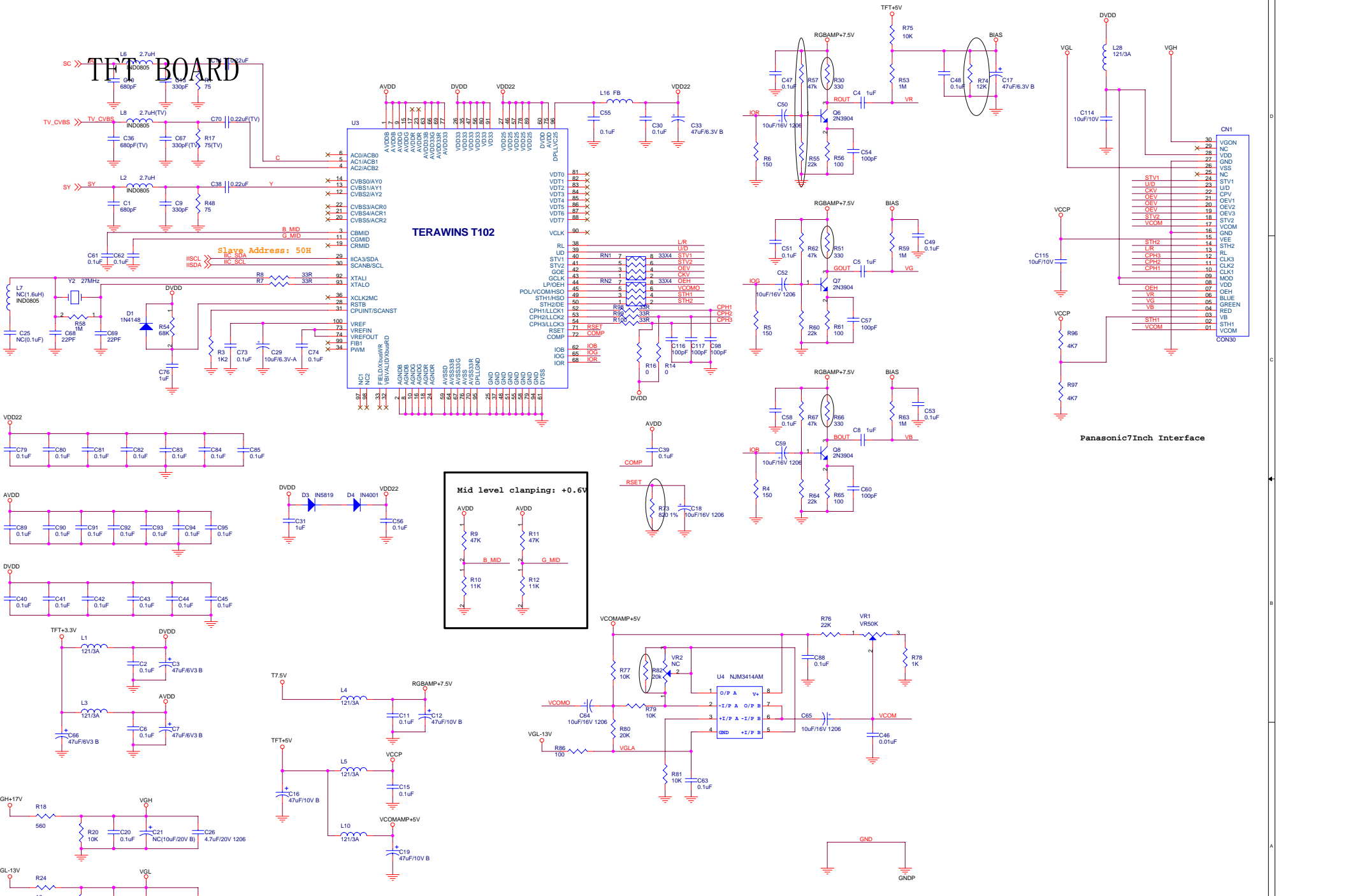
POWERBOARD



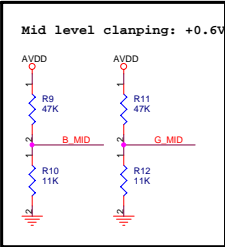
| | | | |
|-----------------------------|----------------------------|-------|--------|
| File | | | |
| DVD(MT1389D-HOP1200W)+DVB-T | | | |
| Size | Document Number | MCU | |
| C | | | Rev 1 |
| Date | Monday, September 25, 2006 | Sheet | 1 of 1 |



| | | |
|---------|-----------------------------|--------------|
| Title | | |
| <Title> | | |
| Size | Document Number | Rev |
| B | <Doc> | <Rev Code> |
| Date: | Wednesday, October 04, 2006 | Sheet 1 of 2 |

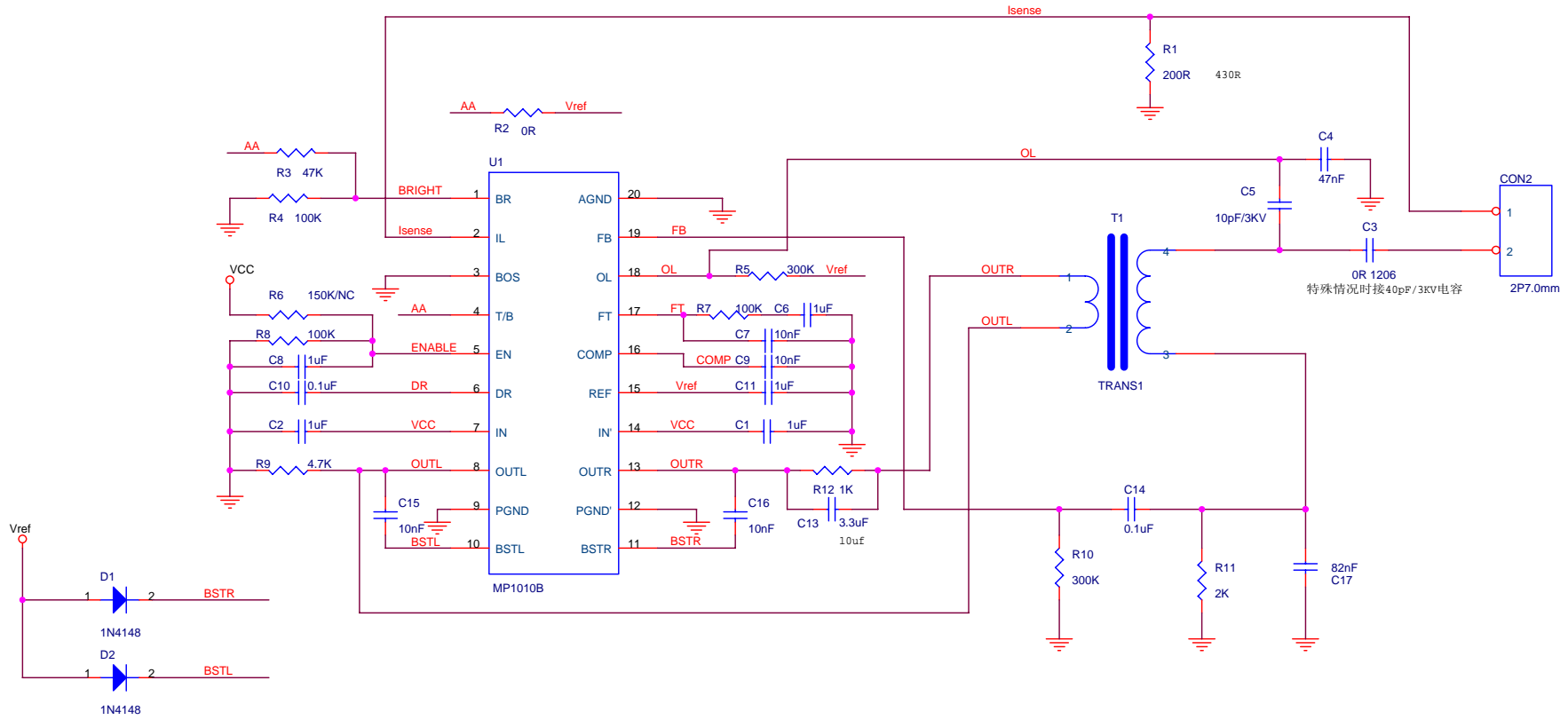
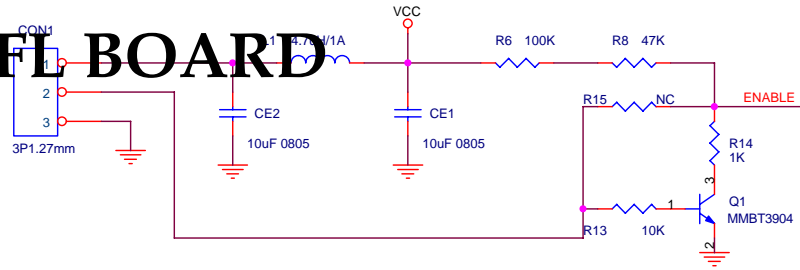


TERAWINS T102



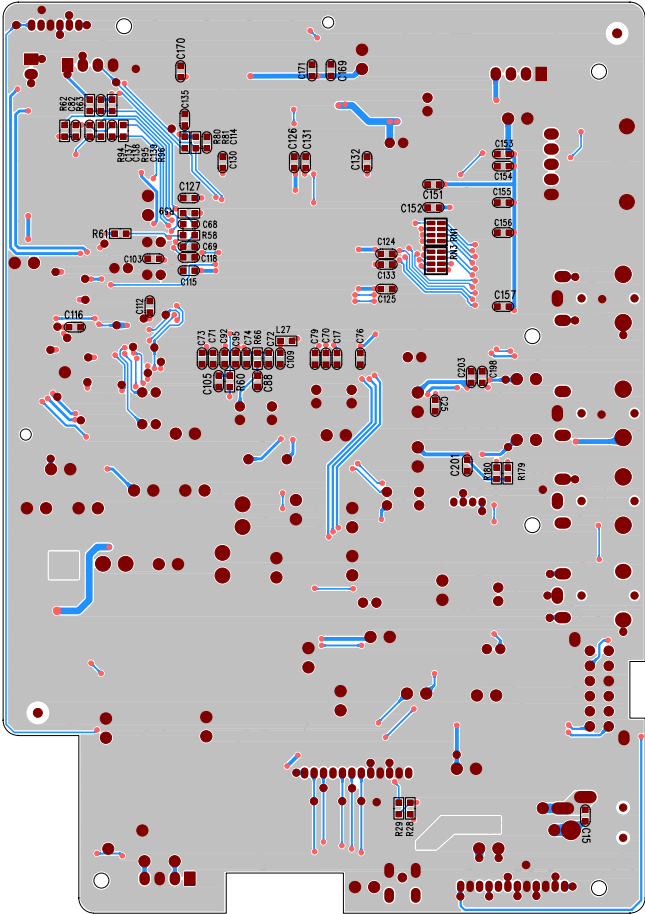
Panasonic 7 Inch Interface

CCH BOARD

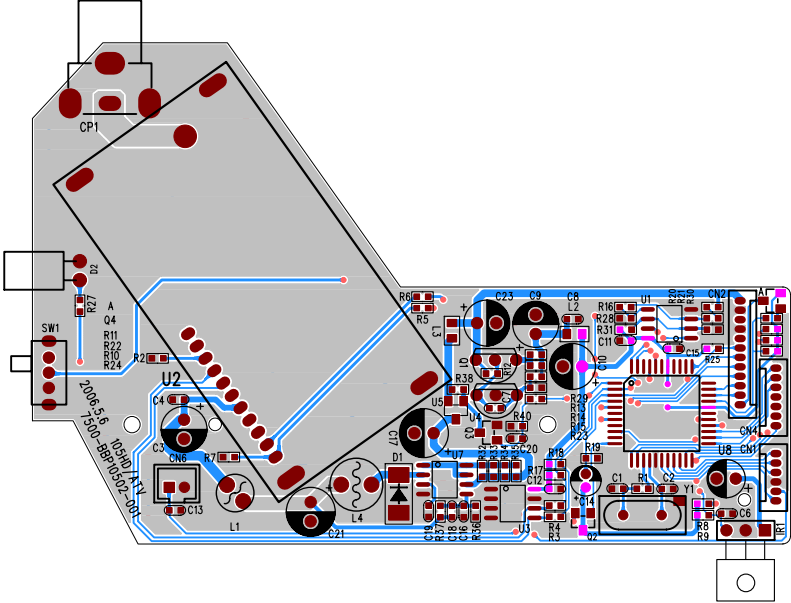


| | | |
|---------|----------------------------|--------------|
| Title | | |
| <Title> | | |
| Size | Document Number | Rev |
| B | <Doc> | <Rev Code> |
| Date: | Monday, September 25, 2006 | Sheet 1 of 1 |

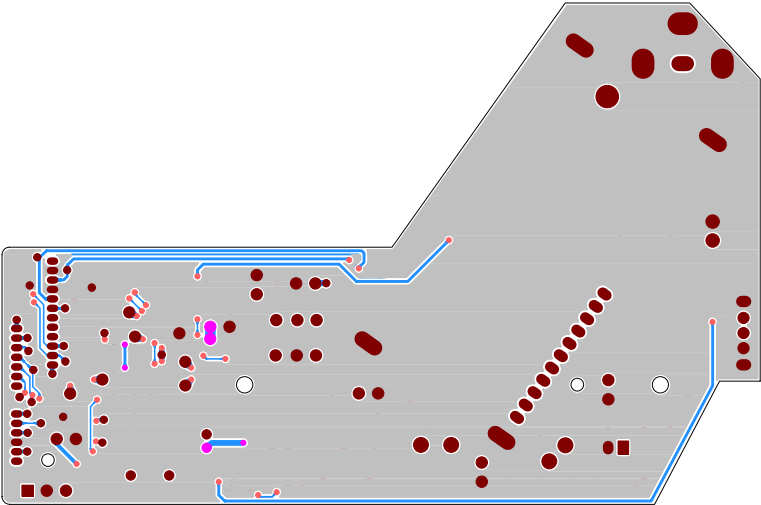
MAINBOARD BOTTOM



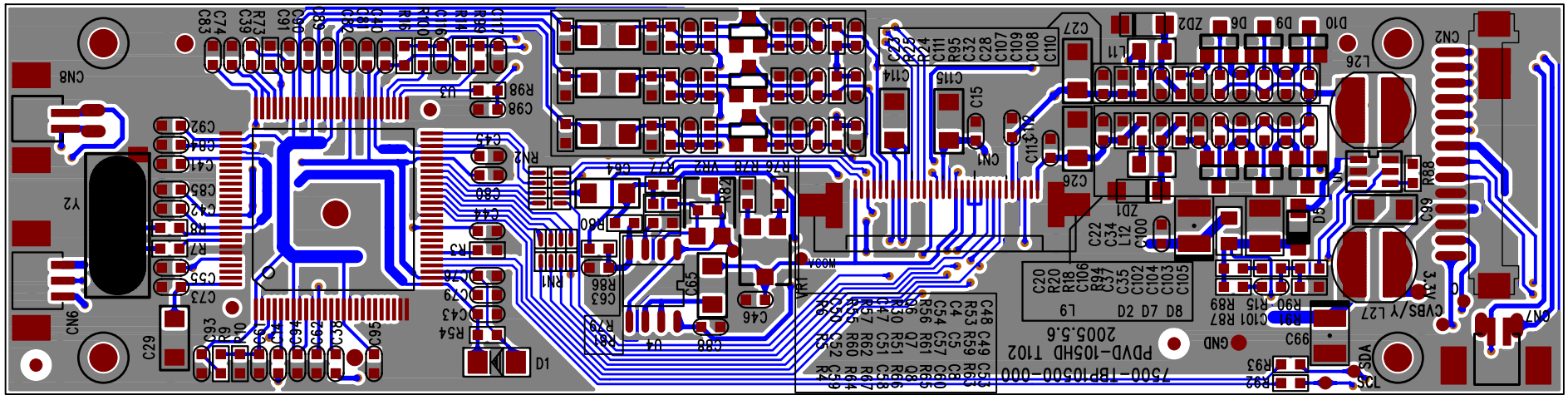
POWERBOARD TOP



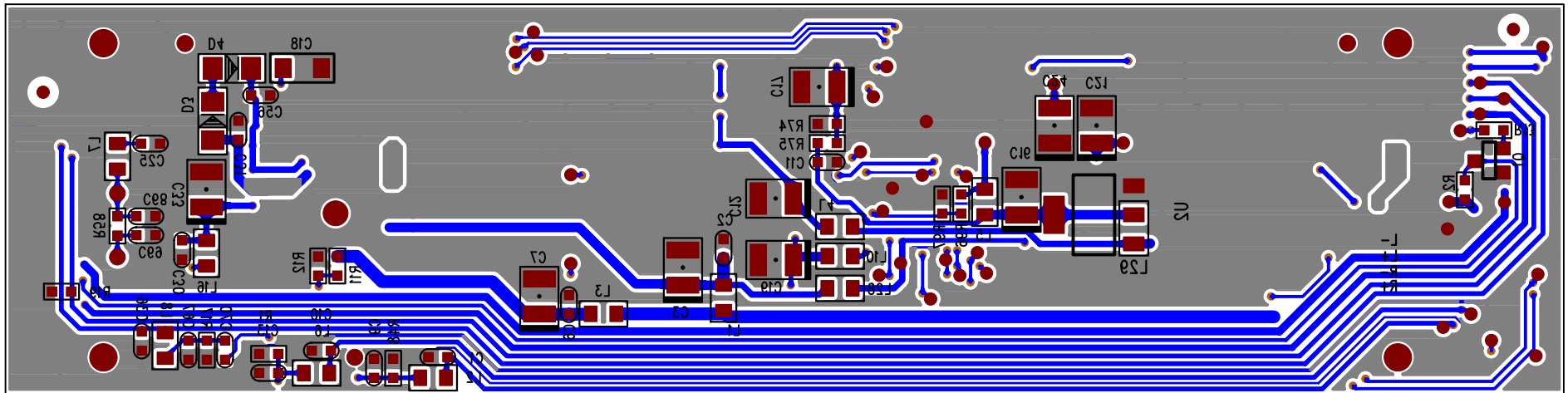
POWERBOARD BOTTOM



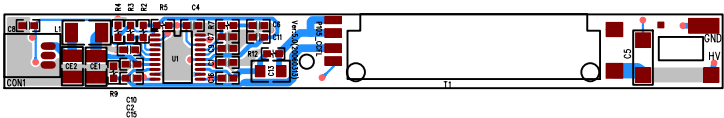
TFT BOARD TOP



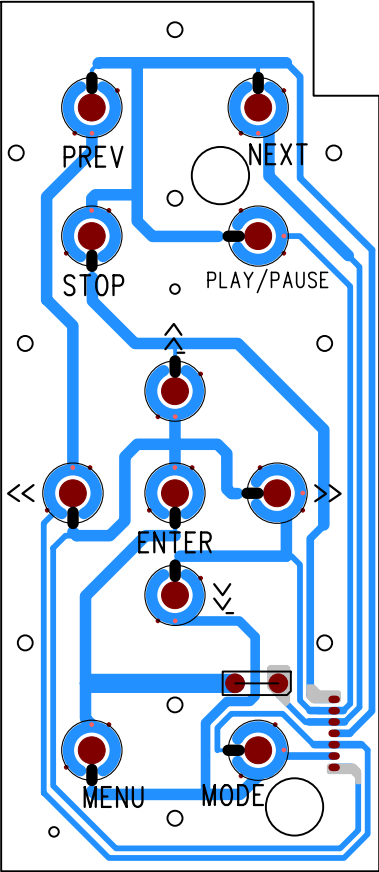
TFT BOARD BOTTOM



CCFL BOARD TOP



KEYBOARD



| 物料代码 | 物料名称 | 规格型号 | 单位 | 数量 | 成品率(%) | 备注 |
|-----------------------------------|-----------------------------------|---|---|-----|--------|---|
| 03.0001 - P11500 01-001R | PDVD-115HDATV成品 (JOB NO.:0609180) | 115HD-ATV成品: SUNSTECH DL-PM783T,7" PORTABLE DVD/MTK1389E/FUSS LOADER/PANASONIC | PCS | 1 | 100 | |
| BOM多级展开 | | | | | | |
| 层次 | 子项物料代码 | 物料名称 | 规格型号 | 单位 | 用量 | 备注 |
| .1 | 02.0600-P105BC00-002R | 89E主板 | PDVD-105HD-ATV, MAIN BOARD,MT1389E,Portable,4*16M SDRAM,8M FLASH,(ROHS) | PCS | 1 | |
| .2 | 01.6100-C0000BB0-000R | 贴片电阻 | SMD RESISTOR 0 OHM 1/10W +/-5% (0603) TAPE TYPE(ROHS) 贴片电阻 | PCS | 5 | R59,84,87,R32,R34 |
| .2 | 01.6100-C0000BB0-003R | 贴片电阻 | SMD RESISTOR 0 OHM 1/10W +/-5% (0805) TAPE TYPE(ROHS) | PCS | 2 | FB7,FB6 |
| .2 | 01.6100-C0100BB0-000R | 贴片电阻 | SMD RESISTOR 1 OHM 1/10W +/-5% (0603) TAPE TYPE(ROHS) | PCS | 5 | R71,98,99,100,101 |
| .2 | 01.6100-C04R7BB0-000R | 贴片电阻 | SMD RESISTOR 4.7 OHM 1/10W +/-5% (0603) TAPE TYPE(ROHS) | PCS | 2 | R90,91 |
| .2 | 01.6100-C06R8BB0-000R | 贴片电阻 | SMD RESISTOR 6.8 OHM 1/10W +/-5% (0603) TAPE TYPE(ROHS) | PCS | 1 | R66 |
| .2 | 01.6100-C1000BB0-000R | 贴片电阻 | SMD RESISTOR 10 OHM 1/10W +/-5% (0603) TAPE TYPE(ROHS) | PCS | 3 | R88,89,133 |
| .2 | 01.6100-C1010BB0-000R | 贴片电阻 | SMD RESISTOR 100 OHM 1/10W +/-5% (0603) TAPE TYPE(ROHS) | PCS | 1 | R135, |
| .2 | 01.6100-C1020BB0-000R | 贴片电阻 | SMD RESISTOR 1K OHM 1/10W +/-5% (0603) TAPE TYPE(ROHS) | PCS | 7 | R9,36,149,150,152,167,168 |
| .2 | 01.6100-C1030AB0-000R | 贴片电阻 | SMD RESISTOR 10K OHM 1/10W +/-1% (0603) TAPE TYPE(ROHS) | PCS | 2 | R3,12 |
| .2 | 01.6100-C1030BB0-000R | 贴片电阻 | SMD RESISTOR 10K OHM 1/10W +/-5% (0603) TAPE TYPE(ROHS) | PCS | 35 | R2,6,8,10,11,16,17-21,27,29,R30,31,35,37,42,45,77,80- |

| | | | | | | |
|-----|-----------------------|------|--|-----|---|--------------------------------|
| ..2 | 01.6100-C1040BB0-000R | 贴片电阻 | SMD RESISTOR 100K OHM 1/10W +/-5% (0603) TAPE TYPE(ROHS) | PCS | 9 | R15,28,43,44,60,67,142,180,181 |
| ..2 | 01.6100-C1130AB0-000R | 贴片电阻 | SMD RESISTOR 10K OHM 1/10W +/-1% (0603) TAPE TYPE(ROHS) | PCS | 1 | R14 |
| ..2 | 01.6100-C1530AB0-000R | 贴片电阻 | SMD RESISTOR 15K OHM 1/10W +/-1% (0603) TAPE TYPE(ROHS) | PCS | 3 | R4,64,95 |
| ..2 | 01.6100-C1530BB0-000R | 贴片电阻 | SMD RESISTOR 15K OHM 1/10W +/-5% (0603) TAPE TYPE(ROHS) | PCS | 2 | R159,160 |
| ..2 | 01.6100-C1540BB0-000R | 贴片电阻 | SMD RESISTOR 150K OHM 1/10W +/-5% (0603) TAPE TYPE(ROHS) | PCS | 2 | R61,62 |
| ..2 | 01.6100-C2020BB0-000R | 贴片电阻 | SMD RESISTOR 2K OHM 1/10W +/-5% (0603) TAPE TYPE(ROHS) | PCS | 1 | R5 |
| ..2 | 01.6100-C2030AB0-000R | 贴片电阻 | SMD RESISTOR 20K OHM 1/10W +/-1% (0603) TAPE TYPE(ROHS) | PCS | 1 | R13 |
| ..2 | 01.6100-C2030BB0-000R | 贴片电阻 | SMD RESISTOR 20K OHM 1/10W +/-5% (0603) TAPE TYPE(ROHS) | PCS | 5 | R1,7,105,107,110 |
| ..2 | 01.6100-C2230BB0-000R | 贴片电阻 | SMD RESISTOR 22K OHM 1/10W +/-5% (0603) TAPE TYPE(ROHS) | PCS | 1 | R124 |
| ..2 | 01.6100-C2730BB0-000R | 贴片电阻 | SMD RESISTOR 27K OHM 1/10W +/-5% (0603) TAPE TYPE(ROHS) | PCS | 2 | R120,134 |
| ..2 | 01.6100-C3310BB0-000R | 贴片电阻 | SMD RESISTOR 330 OHM 1/10W +/-5% (0603) TAPE TYPE(ROHS) | PCS | 1 | R22 |
| ..2 | 01.6100-C3330BB0-000R | 贴片电阻 | SMD RESISTOR 33K OHM 1/10W +/-5% (0603) TAPE TYPE(ROHS) | PCS | 2 | R93,94 |
| ..2 | 01.6100-C4710BB0-000R | 贴片电阻 | SMD RESISTOR 470 OHM 1/10W +/-5% (0603) TAPE TYPE(ROHS) | PCS | 3 | R129,153,155 |
| ..2 | 01.6100-C4730BB0-000R | 贴片电阻 | SMD RESISTOR 47K OHM 1/10W +/-5% (0603) TAPE TYPE(ROHS) | PCS | 2 | R40,41 |
| ..2 | 01.6100-C5120BB0-000R | 贴片电阻 | SMD RESISTOR 5.1K OHM 1/10W +/-5% (0603) TAPE TYPE(ROHS) | PCS | 2 | R126,140 |
| ..2 | 01.6100-C5610AB0-000R | 贴片电阻 | SMD RESISTOR 560 OHM 1/10W +/-1% (0603) TAPE TYPE(ROHS) | PCS | 1 | R74 |
| ..2 | 01.6100-C6810BC0-000R | 贴片电阻 | SMD RESISTOR 680 OHM 1/8W +/-5% (0805) TAPE TYPE(ROHS) | PCS | 2 | R108,109 |

| | | | | | | |
|-----|-----------------------|--------|---|-----|----|--|
| ..2 | 01.6100-C6840BB0-000R | 贴片电阻 | SMD RESISTOR 680K OHM 1/10W +/-5% (0603) TAPE TYPE(ROHS) | PCS | 2 | R58,63 |
| ..2 | 01.6100-C7500AB0-000R | 贴片电阻 | SMD RESISTOR 75 OHM 1/10W +/-1% (0603) TAPE TYPE(ROHS) | PCS | 6 | R24-26,R33,R38,R39 |
| ..2 | 01.6100-C7540BB0-000R | 贴片电阻 | SMD RESISTOR 750K OHM 1/10W +/-5% (0603) TAPE TYPE(ROHS) | PCS | 1 | R57 |
| ..2 | 01.6100-P3300BB0-000R | 贴片排阻 | SMD RESISTOR NETWORK (33 OHM X 4)1/10W +/-5% (8P4R, 3.2 X 1.6mm)TAPE TYPE(ROHS) | PCS | 2 | RN1,3 |
| ..2 | 01.6100-V5030000-002R | 电位器 | ROTARY VOLUME RESISTOR 50KB X 2(H) +/-20% DIA. 18mm ROUND TYPE | PCS | 1 | VR1 |
| ..2 | 01.6200-B1060D01-000R | 插件电解电容 | ELECTROLYTIC CAPACITOR 10UF 16V +/-20% (4 X 7mm) 105 DEGREE (ROHS) 插件电解电 | PCS | 10 | C67,75,78,83,147,174,177,183,184,41 |
| ..2 | 01.6200-B1070D01-000R | 插件电解电容 | ELECTROLYTIC CAPACITOR 100UF 10V +/-20% (5 X 7mm) 105 DEGREE (ROHS) 插件电解电 | PCS | 10 | C33,34,40,120,148,166,168,176,220,C46 |
| ..2 | 01.6200-B1070D02-000R | 插件电解电容 | ELECTROLYTIC CAPACITOR 100UF 16V +/-20% (6.3 X 7mm) 105 DEGREE (ROHS) 插件电解 | PCS | 8 | C9,10,23,26,27,48,179,180 |
| ..2 | 01.6200-B2270D01-000R | 插件电解电容 | ELECTROLYTIC CAPACITOR 220UF 16V +/-20% (6.3 X 7mm) 105 DEGREE (ROHS) 插件电解 | PCS | 12 | C3,13,19,31,187,191,192,5,28,42,43,173 |
| ..2 | 01.6200-B4760D06-000R | 插件电解电容 | ELECTROLYTIC CAPACITOR 47UF 10V +/-20% (4 X 7mm) 105 DEGREE (ROHS),插件电解电容 | PCS | 7 | C87,99,100,101,123,129,190 |
| ..2 | 01.6200-C1010B00-000R | 贴片电容 | MLCC 100PF 50V +/-5% COG (0603) TAPE TYPE (ROHS),ELECTROLYTIC CAPACITOR贴片电 | PCS | 9 | C7,11,24,30,36,37,38,39,182 |
| ..2 | 01.6200-C1020C00-000R | 贴片电容 | MLCC 1000PF 50V +/-10% X7R (0603) TAPE TYPE (ROHS) 贴片电容SMD TANTALUM ELECTRO | PCS | 1 | C84 |
| ..2 | 01.6200-C1030C00-000R | 贴片电容 | MLCC 0.01UF 50V +/-10% X7R (0603) TAPE TYPE (ROHS),SMD ELECTROLYTIC CAPACITOR | PCS | 5 | C1,16,72,114,117 |
| ..2 | 01.6200-C1040E00-000R | 贴片电容 | MLCC 0.1UF 50V +80-20% Y5V (0603) TAPE TYPE (ROHS) CAPCITANCE 贴片电容 | PCS | 58 | C2,6,12,14,15,20,29,32,35,44,45,70,71,74,76,86,88,91,95,96,102-105,109,115,116,1 |
| ..2 | 01.6200-C1050E01-000R | 贴片电容 | MLCC 1UF 16V +80-20% Y5V (0603) TAPE TYPE (ROHS),SMD ELECTROLYTIC CAPACITOR贴 | PCS | 17 | C4,17,18,90,106,107,108,110,111,113,195,221-223,225-227 |

| | | | | | | |
|-----|-----------------------|----------|--|-----|---|-------------------------|
| ..2 | 01.6200-C1510B00-000R | 贴片电容 | MLCC 150PF 50V +/-5% COG (0603) TAPE TYPE (ROHS),SMD ELECTROLYTIC CAPACITOR贴 | PCS | 5 | C143,144,C181,172,C47 |
| ..2 | 01.6200-C1520C00-000R | 贴片电容 | BOM多级展开 MLCC 1500PF 50V +/-10% X7R (0603) TAPE TYPE (ROHS),SMD ELECTROLYTIC CAPACITOR | PCS | 1 | C79 |
| ..2 | 01.6200-C1530C00-000R | 贴片电容 | MLCC 0.015UF 50V +/-10% X7R (0603) TAPE TYPE (ROHS),SMD ELECTROLYTIC CAPACITOR | PCS | 1 | C139 |
| ..2 | 01.6200-C2000B00-000R | 贴片电容 | MLCC 20PF 50V +/-5% COG (0603) TAPE TYPE (ROHS),SMD ELECTROLYTIC CAPACITOR贴片 | PCS | 1 | C77 |
| ..2 | 01.6200-C2200B00-000R | 贴片电容 | MLCC 22PF 50V +/-5% COG (0603) TAPE TYPE (ROHS),SMD ELECTROLYTIC CAPACITOR贴片 | PCS | 2 | C98,97 |
| ..2 | 01.6200-C2220C00-000R | 贴片电容 | MLCC 2200PF 50V +/-10% X7R (0603) TAPE TYPE (ROHS),SMD ELECTROLYTIC CAPACITOR | PCS | 5 | C68,73,82,178,185 |
| ..2 | 01.6200-C2230C00-000R | 贴片电容 | MLCC 0.022UF 50V +/-10% X7R (0603) TAPE TYPE (ROHS),SMD ELECTROLYTIC CAPACITOR | PCS | 2 | C8,22 |
| ..2 | 01.6200-C3310B00-000R | 贴片电容 | MLCC 330PF 50V +/-5% COG (0603) TAPE TYPE (ROHS),ELECTROLYTIC CAPACITOR贴片电 | PCS | 2 | C136,137 |
| ..2 | 01.6200-C3330C00-000R | 贴片电容 | MLCC 0.033UF 50V +/-10% X7R (0603) TAPE TYPE (ROHS),ELECTROLYTIC CAPACITOR贴片 | PCS | 1 | C92 |
| ..2 | 01.6200-C3910B00-000R | 贴片电容 | MLCC 390PF 50V +/-10% X7R (0603) TAPE TYPE (ROHS),ELECTROLYTIC CAPACITOR贴片电 | PCS | 1 | C66 |
| ..2 | 01.6200-C4730C00-000R | 贴片电容 | MLCC 0.047UF 50V +/-10% X7R (0603) TAPE TYPE (ROHS),ELECTROLYTIC CAPACITOR贴片 | PCS | 2 | C93,C94 |
| ..2 | 01.6200-C6810B00-000R | 贴片电容 | MLCC 680PF 50V +/-5% COG (0603) TAPE TYPE (ROHS),ELECTROLYTIC CAPACITOR贴片电 | PCS | 2 | C199,200 |
| ..2 | 01.6300-SA1N4148-000R | 二极管 | NORMAL RECTIFIER DIODE 1N4148 150mA/100V SMD PACKAGE(ROHS) 二极管 | PCS | 7 | D2,D6-10,17 |
| ..2 | 01.6300-SA1N5819-000R | 二极管 | SCHOTTKY BARRIER RECTIFIER 40V/1A(SS14) SMD PACKAGE(ROHS) 二极管 | PCS | 3 | D1,3,4 |
| ..2 | 01.6300-SFC10000-000R | 二极管DIODE | ZENER DIODE 15V 1/2W SMD PACKAGE(ROHS) 二极管 | PCS | 1 | D5 |
| ..2 | 01.6400-N2907000-000R | 三极管 | TRANSISTOR,MMBT2907A ,PNP,SOT23(ROHS),三极管 | PCS | 2 | Q13,14 |
| ..2 | 01.6400-N3904N00-000R | 三极管 | TRANSISTOR PMBT3904 ,NPN, SOT23(ROHS),,三极管 | PCS | 9 | Q2,3,7,8,9,11,17,Q21,22 |

| | | | | | | |
|-----|-----------------------|-------|---|-----|--------|--|
| ..2 | 01.6400-N3906N00-000R | 三极管 | TRANSISTOR 2N3906 ,PNP, SOT23(ROHS),,三极管 | PCS | 3 | Q1,Q12,Q15 |
| ..2 | 01.6400-Q3401N00-000R | MOS管 | AO3401L,P-CHANNEL ENHANCEMENT MODE FIELD EFFECT TRANSISTOR ,SOT-23(ROHS) MOS管 | PCS | 4 | U6-9 |
| ..2 | 01.6400-Q3407N00-000R | MOS管 | AO3407L,P-CHANNEL ENHANCEMENT MODE FIELD EFFECT TRANSISTOR ,SOT-23(ROHS) MOS管 | PCS | 1 | U5 |
| ..2 | 01.6500-S0004558-000R | IC | I.C. CO4558 DUAL BIPOLAR OPERATIONAL AMPLIFIER SOP8 (ROHS) | PCS | 1 | U16 |
| ..2 | 01.6500-S4053D00-000R | 切换IC | I.C. 74HC4053D PHILIPS (2-CHANNEL ANALOGUE MULTIPLEXER) SO PACKAGE(ROHS) | PCS | 1.0000 | U3 |
| ..2 | 01.6500-SRP11010-000R | IC | I.C. RP1101-19PXL,1.9V/500mA LINEARREGULATOR, SOT89(ROHS) | PCS | 1.0000 | U4 |
| ..2 | 01.65AT-SAT24C02-000R | I.C | Fully P/N:AT24C02BN-10SU-1.8 , (ROHS) | PCS | 1 | U12 |
| ..2 | 01.65CE-SW430230-000R | 驱动IC | I.C. SW43023,BTL DRIVE FOR CD/CD-ROM ,HSOP28 (ROHS) | PCS | 1 | U11 |
| ..2 | 01.65ES-12L64164-000R | SDRAM | I.C. M12L64164A-7TG,4x16MBit SDRAM,TSOP54 (ROHS) | PCS | 1 | U14 |
| ..2 | 01.65MP-S0MP1410-000R | IC | I.C. MP1410ES-LF, 2A STEP DOWN DC-DC CONVERTER, SOIC-8(ROHS) | PCS | 2 | U1,2 |
| ..2 | 01.65MT-SMT1389E-000R | 解码芯片 | I.C. MT1389DE/E-L , PROGRESSIVE-SCAN DVD/SACD PLAYER SOC, LQFP-216 (ROHS) | PCS | 1 | U10 |
| ..2 | 01.65MX-S29LV800-002R | IC | I.C. KH29LV800CBTC-70G, 2.7~3.6V 8M FLASH MEMORY TSOP-48(ROHS) | PCS | 1 | U15 |
| ..2 | 01.65TP-STPA0212-000R | IC | I.C. TPA0212PWPR, 2W STEREO POWER AMPLIFIER,TSSOP-24 (ROHS) | PCS | 1 | U19 |
| ..2 | 01.6600-DB220000-000R | 功率电感 | DIP,CHOKE COIL 22uH,1.5A 4X6mm (ROHS) | PCS | 3 | L10,33,45, |
| ..2 | 01.6600-SA120000-000R | 贴片磁珠 | SMD FERRITE BEAD Z=120 OHM/100MHz 3A 0805 (ROHS) 贴片磁珠 | PCS | 13 | FB1,L2,FB2,L3,L4,L5,8,9 ,FB12,FB13,L31,L32,L34 |
| ..2 | 01.6600-SA601000-002R | 贴片磁珠 | SMD FERRITE BEAD Z=600OHM/100MHz 0805 (ROHS)贴片磁珠 | PCS | 8 | FB3,4,8,9,10,11,L39,40 |

| | | | | | | |
|-----|-----------------------|------|---|-----|---|--------------------------|
| ..2 | 01.6600-SB100000-000R | 贴片电感 | SMD INDUCTOR 10uH 0603 (ROHS)贴片电感 | PCS | 2 | L27,L24 |
| ..2 | 01.6600-SB100001-000R | 贴片电感 | BOM多级展开 SMD INDUCTOR 10uH 0805 (ROHS) 贴片电感 | PCS | 8 | L13,17,22,23,28,29,30,47 |
| ..2 | 01.6600-SB1U8000-000R | 贴片电感 | SMD INDUCTOR 1.8UH 0603 (ROHS)贴片电感 | PCS | 3 | L7,11,12 |
| ..2 | 01.6600-SB220000-001R | 贴片电感 | SMD POWER INDUCTOR 22UH 1.5A, 7.8X7.0X5mm (ROHS) 贴片电感 | PCS | 2 | L1,6 |
| ..2 | 01.6600-SB470000-000R | 贴片电感 | SMD INDUCTOR 47UH 0805 (ROHS)贴片电感 | PCS | 1 | L26 |
| ..2 | 01.6800-9A000002-001R | 插座 | 2 PIN WAFER 2.0mm PITCH X 2PIN, WHITE,直插(ROHS) | PCS | 1 | CN4 |
| ..2 | 01.6800-9A000004-000R | 插座 | WAFER 2.0mm PITCH X 4PIN, WHITE(ROHS) | PCS | 2 | CN3,CN8 |
| ..2 | 01.6800-9C000024-000R | FPC座 | FFC/FPC CONNECTOR 24 PIN PITCH=0.5mm (SMD PACKAGE) TOP (ROHS) | PCS | 1 | CN5 |
| ..2 | 01.6800-9D000004-000R | 插座 | WAFER 1.25mm PITCH X 4PIN, WHITE(ROHS) | PCS | 1 | CN9 |
| ..2 | 01.6800-9D000006-000R | 插座 | WAFER 1.25mm PITCH X 6PIN, WHITE(ROHS) | PCS | 1 | CN6 |
| ..2 | 01.6800-9D000012-000R | 插座 | WAFER 1.25mm PITCH X 12PIN, WHITE(ROHS) | PCS | 2 | CN1,11 |
| ..2 | 01.6900-08000100-000R | 电源插座 | DC POWER JACK (BLACK) (ROHS) | PCS | 1 | CP1 |
| ..2 | 01.6900-14000100-000R | AV座 | EARPHONE JACK 3.5mm FOR PORTABLE-DVD(ROHS) | PCS | 4 | CP2,3,4,5 |
| ..2 | 01.7000-D0000001-000R | 波段开关 | SLIDE SWITCH (HORIZONTAL TYPE) ,TF-4202 (ROHS) | PCS | 1 | SW1 |
| ..2 | 01.7003-D0500003-000R | 检测开关 | DETECTOR SWITCH(VERTICAL TYPE H=10.5mm) , DS-1120-10.5 (ROHS) | PCS | 1 | SW2 |
| ..2 | 01.7500-ABP10504-001R | PCB | PDVD-105HD-ATV 1389E MAIN BOARD PCB (2 LAYERS ,120X85X1.0mm) (ROHS) | PCS | 1 | PCB |
| ..2 | 01.7600-10276200-000R | 晶振 | CRYSTAL 27.000MHz HC-49S +/-20PPM 20PF (ROHS) | PCS | 1 | Y1 |

| | | | | | | |
|-----|-----------------------|-------|--|-----|---|---------------------|
| .1 | 02.0601-P1050000-010R | 电源开关板 | PDVD-105,SAMSUNG TUNER, PAL ,POWER / TUNER ASSEMBLY | PCS | 1 | |
| ..2 | 01.6100-C01R2BB0-000R | 贴片电阻 | SMD RESISTOR 1.2 OHM 1/10W +/-5% (0603) TAPE TYPE(ROHS) | PCS | 3 | R32,33,34 |
| ..2 | 01.6100-C1000BB0-000R | 贴片电阻 | SMD RESISTOR 10 OHM 1/10W +/-5% (0603) TAPE TYPE(ROHS) | PCS | 3 | R5,R6,R8 |
| ..2 | 01.6100-C1020BB0-000R | 贴片电阻 | SMD RESISTOR 1K OHM 1/10W +/-5% (0603) TAPE TYPE(ROHS) | PCS | 2 | R23,R11 |
| ..2 | 01.6100-C1030BB0-000R | 贴片电阻 | SMD RESISTOR 10K OHM 1/10W +/-5% (0603) TAPE TYPE(ROHS) | PCS | 5 | R10,R14,R19,R22,R25 |
| ..2 | 01.6100-C1040BB0-000R | 贴片电阻 | SMD RESISTOR 100K OHM 1/10W +/-5% (0603) TAPE TYPE(ROHS) | PCS | 1 | R40 |
| ..2 | 01.6100-C1210BB0-000R | 贴片电阻 | SMD RESISTOR 120 OHM 1/10W +/-5% (0603) TAPE TYPE(ROHS) | PCS | 1 | R1 |
| ..2 | 01.6100-C1220AB0-000R | 贴片电阻 | SMD RESISTOR 1.2K OHM 1/10W +/-1% (0603) TAPE TYPE(ROHS) | PCS | 1 | R36 |
| ..2 | 01.6100-C1230BB0-000R | 贴片电阻 | SMD RESISTOR 12K OHM 1/10W +/-5% (0603) TAPE TYPE(ROHS) | PCS | 1 | R20 |
| ..2 | 01.6100-C2010AB0-000R | 贴片电阻 | SMD RESISTOR 200 OHM 1/10W +/-1% (0603) TAPE TYPE(ROHS) | PCS | 1 | R16 |
| ..2 | 01.6100-C2020BB0-000R | 贴片电阻 | SMD RESISTOR 2K OHM 1/10W +/-5% (0603) TAPE TYPE(ROHS) | PCS | 1 | R12 |
| ..2 | 01.6100-C3030AB0-000R | 贴片电阻 | SMD RESISTOR 30K OHM 1/10W +/-1% (0603) TAPE TYPE(ROHS) | PCS | 1 | R15 |
| ..2 | 01.6100-C3300BB0-000R | 贴片电阻 | SMD RESISTOR 33 OHM 1/10W +/-5% (0603) TAPE TYPE(ROHS) | PCS | 5 | R3,R4,R27,R13,R29 |
| ..2 | 01.6100-C3620AB0-000R | 贴片电阻 | SMD RESISTOR 3.6K OHM 1/10W +/-1% (0603) TAPE TYPE(ROHS) | PCS | 1 | R37 |
| ..2 | 01.6100-C4320BB0-000R | 贴片电阻 | SMD RESISTOR 4.3K OHM 1/10W +/-5% (0603) TAPE TYPE(ROHS) | PCS | 1 | R28 |
| ..2 | 01.6100-C4720BB0-000R | 贴片电阻 | SMD RESISTOR 4.7K OHM 1/10W +/-5% (0603) TAPE TYPE(ROHS) | PCS | 3 | R17,R18,R24 |
| ..2 | 01.6100-C4730AB0-000R | 贴片电阻 | SMD RESISTOR 47K OHM 1/10W +/-1% (0603) TAPE TYPE(ROHS) | PCS | 3 | R30,R31,R38 |

| | | | | | | |
|-----|-----------------------|--------|---|-----|---|-------------------|
| ..2 | 01.6100-C6810BC0-000R | 贴片电阻 | SMD RESISTOR 680 OHM 1/8W +/-5% (0805) TAPE TYPE(ROHS) | PCS | 1 | R21 |
| ..2 | 01.6200-B1060D01-000R | 插件电解电容 | ELECTROLYTIC CAPACITOR 10UF 16V +/-20% (4 X 7mm) 105 DEGREE (ROHS) 插件电解电 | PCS | 1 | C14 |
| ..2 | 01.6200-B1070D01-000R | 插件电解电容 | ELECTROLYTIC CAPACITOR 100UF 10V +/-20% (5 X 7mm) 105 DEGREE (ROHS) 插件电解电 | PCS | 2 | C5,C10 |
| ..2 | 01.6200-B1070D02-000R | 插件电解电容 | ELECTROLYTIC CAPACITOR 100UF 16V +/-20% (6.3 X 7mm) 105 DEGREE (ROHS) 插件电解 | PCS | 2 | C17,C23 |
| ..2 | 01.6200-B2270D01-000R | 插件电解电容 | ELECTROLYTIC CAPACITOR 220UF 16V +/-20% (6.3 X 7mm) 105 DEGREE (ROHS) 插件电解 | PCS | 3 | C9,C3,C21 |
| ..2 | 01.6200-C1010B00-000R | 贴片电容 | MLCC 100PF 50V +/-5% COG (0603) TAPE TYPE (ROHS),ELECTROLYTIC CAPACITOR贴片电 | PCS | 1 | C6 |
| ..2 | 01.6200-C1020C00-000R | 贴片电容 | MLCC 1000PF 50V +/-10% X7R (0603) TAPE TYPE (ROHS) 贴片电容SMD TANTALUM ELECTRO | PCS | 1 | C16 |
| ..2 | 01.6200-C1030C00-000R | 贴片电容 | MLCC 0.01UF 50V +/-10% X7R (0603) TAPE TYPE (ROHS),SMD ELECTROLYTIC CAPACITOR | PCS | 2 | C7,C13 |
| ..2 | 01.6200-C1040E00-000R | 贴片电容 | MLCC 0.1UF 50V +80-20% Y5V (0603) TAPE TYPE (ROHS) CAPCITANCE 贴片电容 | PCS | 5 | C4,C8,C11,C12,C15 |
| ..2 | 01.6200-C2200B00-000R | 贴片电容 | MLCC 22PF 50V +/-5% COG (0603) TAPE TYPE (ROHS),SMD ELECTROLYTIC CAPACITOR贴片 | PCS | 2 | C1,C2 |
| ..2 | 01.6200-C2210B00-000R | 贴片电容 | MLCC 220PF 50V +/-5% COG (0603) TAPE TYPE (ROHS),SMD ELECTROLYTIC CAPACITOR贴 | PCS | 1 | C19 |
| ..2 | 01.6300-SA1N5819-000R | 二极管 | SCHOTTKY BARRIER RECTIFIER 40V/1A(SS14) SMD PACKAGE(ROHS) 二极管 | PCS | 1 | D1 |
| ..2 | 01.6300-SL612100-001R | 高频头 | TCPG6121P30A , TUNER (PAL,B/G,DIK,L/L) (ROHS) | PCS | 1 | U2 |
| ..2 | 01.6400-08050N01-000R | 插件三极管 | TRANSISTOR PSS8050D-126 , NPN, TO-92 (ROHS)插件三极管 | PCS | 1 | Q1 |
| ..2 | 01.6400-N3904N00-000R | 三极管 | TRANSISTOR PMBT3904 ,NPN, SOT23(ROHS),,三极管 | PCS | 2 | Q2,Q3 |
| ..2 | 01.6400-N3906N00-000R | 三极管 | TRANSISTOR 2N3906 ,PNP, SOT23(ROHS),,三极管 | PCS | 1 | Q4 |
| ..2 | 01.6400-Q3401N00-000R | MOS管 | AO3401L,P-CHANNEL ENHANCEMENT MODE FIELD EFFECT TRANSISTOR ,SOT-23(ROHS) MOS管 | PCS | 1 | U5 |

| | | | | | | |
|-----|-----------------------|-------|--|-----|---|-----|
| ..2 | 01.65AT-SAT24C02-000R | I.C | Fully P/N:AT24C02BN-10SU-1.8 , (ROHS) | PCS | 1 | U3 |
| ..2 | 01.65LM-S00LM393-000R | IC | I.C. LM393DR2GBOM,多级展开 POWER LOW OFFSET VOLTAGE DUAL COMPARATORS, SOP8(ROHS) | PCS | 1 | U1 |
| ..2 | 01.65PL-SMC34063-000R | IC | I.C. MC34063 ,DC-DC CONVERTER CONTROL CIRCUITS, SOP-8(ROHS)_ | PCS | 1 | U7 |
| ..2 | 01.65ST-ULE58RD0-000R | MCU | MCU STC89LE58RD+ ,3.3V, 32Kfalsh ,PQFP-44pin (ROHS) | PCS | 1 | U8 |
| ..2 | 01.65XC-D00TL431-000R | IC | I.C. TL431 PROGRAMMABLE PRECISION REFERENCES TO-92 (ROHS) | PCS | 1 | U4 |
| ..2 | 01.6600-DB220000-000R | 功率电感 | DIP,CHOKE COIL 22uH,1.5A 4X6mm (ROHS) | PCS | 1 | L1 |
| ..2 | 01.6600-DB470000-000R | 立式电感 | CHOKE COIL 47uH 0.5A(PITCH=3.0mm 8X11mm) (ROHS) INDUCTANCE 立式电感 | PCS | 1 | L4 |
| ..2 | 01.6600-SA120000-000R | 贴片磁珠 | SMD FERRITE BEAD Z=120 OHM/100MHz 3A 0805 (ROHS) 贴片磁珠 | PCS | 1 | L3 |
| ..2 | 01.6600-SB100001-000R | 贴片电感 | SMD INDUCTOR 10uH 0805 (ROHS) 贴片电感 | PCS | 1 | L2 |
| ..2 | 01.6800-9A000002-001R | 插座 | 2 PIN WAFER 2.0mm PITCH X 2PIN, WHITE,直插(ROHS) | PCS | 1 | CN6 |
| ..2 | 01.6800-9D000006-000R | 插座 | WAFER 1.25mm PITCH X 6PIN, WHITE(ROHS) | PCS | 1 | CN1 |
| ..2 | 01.6800-9D000007-000R | 插座 | WAFER 1.25mm PITCH X 7PIN, WHITE(ROHS) | PCS | 1 | CN4 |
| ..2 | 01.6800-9D000012-000R | 插座 | WAFER 1.25mm PITCH X 12PIN, WHITE(ROHS) | PCS | 1 | CN2 |
| ..2 | 01.6903-11000090-000R | RCA插座 | RCA JACK , RC-103 (ROHS) | PCS | 1 | CP1 |
| ..2 | 01.7000-D0200000-000R | 开关 | SLIDE SWITCH (HORIZONTAL TYPE) ,TF-1202 (ROHS),微动 开关 | PCS | 1 | SW1 |
| ..2 | 01.7400-11812200-000R | 发光二极管 | LED LIGHT EMISSIONRED, 2.3X5X8mm,RED(ROHS)发光二 极管 | PCS | 1 | D2 |
| ..2 | 01.7500-BBP10502-001R | 电源开关板 | PDVD-105HD-ATV TUNER BOARD PCB (2 LAYERS ,100X66X1.0mm) (ROHS) | PCS | 1 | PCB |

| | | | | | | |
|-----|-----------------------|--------------|---|-----|---|--------------|
| ..2 | 01.7600-11205200-000R | 晶振 | CRYSTAL 12.0MHz HC-49S +/-20PPM 20PF (ROHS) | PCS | 1 | Y1 |
| ..2 | 01.7900-D02C0100-000R | 遥控接收头 | BOM多级展开 INFRARED RECEIVER MODULE, 3.3V,2.3X5X5mm(ROHS) | PCS | 1 | IR1 |
| .1 | 02.0602-P1050000-003R | PCBA-CCFL驱动板 | P105 ,CCFL驱动板(ROHS) | PCS | 1 | |
| ..2 | 01.6100-C0000BB0-000R | 贴片电阻 | SMD RESISTOR 0 OHM 1/10W +/-5% (0603) TAPE TYPE(ROHS) 贴片电阻 | PCS | 1 | R2 |
| ..2 | 01.6100-C1020BB0-000R | 贴片电阻 | SMD RESISTOR 1K OHM 1/10W +/-5% (0603) TAPE TYPE(ROHS) | PCS | 2 | R12,14 |
| ..2 | 01.6100-C1040BB0-000R | 贴片电阻 | SMD RESISTOR 100K OHM 1/10W +/-5% (0603) TAPE TYPE(ROHS) | PCS | 3 | R4,6,7, |
| ..2 | 01.6100-C2020BB0-000R | 贴片电阻 | SMD RESISTOR 2K OHM 1/10W +/-5% (0603) TAPE TYPE(ROHS) | PCS | 1 | R11, |
| ..2 | 01.6100-C2710BB0-000R | 贴片电阻 | SMD RESISTOR 270 OHM 1/10W +/-5% (0603) TAPE TYPE(ROHS) | PCS | 1 | R1 |
| ..2 | 01.6100-C3040BB0-000R | 贴片电阻 | SMD RESISTOR 300K OHM 1/10W +/-5% (0603) TAPE TYPE(ROHS) | PCS | 2 | R5,10, |
| ..2 | 01.6100-C4720BB0-000R | 贴片电阻 | SMD RESISTOR 4.7K OHM 1/10W +/-5% (0603) TAPE TYPE(ROHS) | PCS | 2 | R9,R13 |
| ..2 | 01.6100-C4730BB0-000R | 贴片电阻 | SMD RESISTOR 47K OHM 1/10W +/-5% (0603) TAPE TYPE(ROHS) | PCS | 2 | R3,R8 |
| ..2 | 01.6200-C1030C00-000R | 贴片电容 | MLCC 0.01UF 50V +/-10% X7R (0603) TAPE TYPE (ROHS),SMD ELECTROLYTIC CAPACITOR | PCS | 4 | C7,9,15,16, |
| ..2 | 01.6200-C1040E00-000R | 贴片电容 | MLCC 0.1UF 50V +80-20% Y5V (0603) TAPE TYPE (ROHS) CAPCITANCE 贴片电容 | PCS | 2 | C10,14, |
| ..2 | 01.6200-C1050E01-000R | 贴片电容 | MLCC 1UF 16V +80-20% Y5V (0603) TAPE TYPE (ROHS),SMD ELECTROLYTIC CAPACITOR贴 | PCS | 5 | C1,2,6,8,11, |
| ..2 | 01.6200-C1060E02-000R | 贴片电容 | MLCC 10UF 16V +80-20% Y5V (1206) TAPE TYPE (ROHS),SMD ELECTROLYTIC CAPACITOR贴 | PCS | 3 | CE1,2,C13, |
| ..2 | 01.6200-C4730C00-000R | 贴片电容 | MLCC 0.047UF 50V +/-10% X7R (0603) TAPE TYPE (ROHS),ELECTROLYTIC CAPACITOR贴片 | PCS | 1 | C4, |
| ..2 | 01.6200-C8230C00-000R | 贴片电容 | Page 10 MLCC 0.082UF 50V +/-10% X7R (0603) TAPE TYPE (ROHS),ELECTROLYTIC CAPACITOR贴片 | PCS | 1 | C17, |

| | | | | | | |
|-----|-----------------------|------------------|---|-----|------|-----------------|
| ..2 | 01.6200-H1000F01-000R | 高压电容 | 10pF/3KV,±0.25pF,1211(ROHS) | PCS | 1 | C5, |
| ..2 | 01.6300-SB0BAV99-000R | 钳位二极管 | SMD SWITCHING DIODE,BAV99, SOT23,PHILIPS (ROHS) (此物料无料时,由编码为6300-SB0 | PCS | 2 | D1,D2, |
| ..2 | 01.6400-N3904N00-000R | 三极管 | TRANSISTOR PMBT3904 ,NPN, SOT23(ROHS),,三极管 | PCS | 1 | Q1 |
| ..2 | 01.6500-S0MP1029-000R | IC | I.C. MP1029EM-LF-Z, COLD CATHODE FLOURSCENT LAMP DRIVER,TSSOP20 (ROHS) | PCS | 1 | U1 |
| ..2 | 01.6600-SB4U7000-000R | 贴片功率电感 | SMD POWER INDUCTOR 4.7uH ,4.6X3.4X3mm (ROHS) | PCS | 1 | L1 |
| ..2 | 01.6701-0686D001-000R | 变压器 | SMD SWITCH TRANSFORMER ,86D-4024A,2100:23(ROHS) | PCS | 1 | T1 |
| ..2 | 01.6800-9D000003-000R | 插座 | DIP,90 GEGREE, WAFER 1.25mm PITCH X 3PIN, WHITE(ROHS) | PCS | 1 | CON1 |
| ..2 | 01.7500-CBP10502-000R | PCB | PCB,P105, High Voltage Board,Two Layers(ROHS) | PCS | 1 | PCB |
| .1 | 02.0604-P1050000-002R | PCBA按键板 | PDVD-105HDTV,KEY BOAARD,按键板(ROHS) | PCS | 1 | |
| ..2 | 01.6100-T0000000-006R | 跳线 | JUMPER L = 6mm(ROHS) | 克 | 1.00 | J1 |
| ..2 | 01.7203-Y1212807-001R | 排线 | HOUSING(51021-7Y) + 90 DEGREE PIN(1502-7P) + 120mm WIRE UL1571#28 WHITE(ROHS) | PCS | 1 | CON1 |
| ..2 | 01.7500-EAP10502-000R | 按键板 | KEY BOARD PCB FOR PDVD-105HD,1 LAYER(ROHS) | PCS | 1 | PCB |
| .1 | 02.0610-P1050000-004R | TFT驱动板(T 102 方案) | PDVD-105HD-ATV,TFT DRIVE BOARD(ROHS) | PCS | 1 | |
| ..2 | 01.6100-C0000BB0-000R | 贴片电阻 | SMD RESISTOR 0 OHM 1/10W +/-5% (0603) TAPE TYPE(ROHS) 贴片电阻 | PCS | 3 | R14,R16,R19 |
| ..2 | 01.6100-C1000BB0-000R | 贴片电阻 | SMD RESISTOR 10 OHM 1/10W +/-5% (0603) TAPE TYPE(ROHS) | PCS | 3 | R24,R94,R95, |
| ..2 | 01.6100-C1010BB0-000R | 贴片电阻 | SMD RESISTOR 100 OHM 1/10W +/-5% (0603) TAPE TYPE(ROHS) | PCS | 4 | R56,R61,R65,R86 |
| ..2 | 01.6100-C1020BB0-000R | 贴片电阻 | SMD RESISTOR 1K OHM 1/10W +/-5% (0603) TAPE TYPE(ROHS) | PCS | 1 | R78 |

| | | | | | | |
|-----|-----------------------|------|---|-----|---|------------------------|
| ..2 | 01.6100-C1030AB0-000R | 贴片电阻 | SMD RESISTOR 10K OHM 1/10W +/-1% (0603) TAPE TYPE(ROHS) | PCS | 2 | R15,R91 |
| ..2 | 01.6100-C1030BB0-000R | 贴片电阻 | SMD RESISTOR 10K OHM 1/10W +/-5% (0603) TAPE TYPE(ROHS) | PCS | 6 | R20,R75,R77,R79,R81,87 |
| ..2 | 01.6100-C1040BB0-000R | 贴片电阻 | SMD RESISTOR 100K OHM 1/10W +/-5% (0603) TAPE TYPE(ROHS) | PCS | 3 | R25,R88,R90 |
| ..2 | 01.6100-C1050BB0-000R | 贴片电阻 | SMD RESISTOR 1M OHM 1/10W +/-5% (0603) TAPE TYPE(ROHS) | PCS | 4 | R53,R59,R63,R58 |
| ..2 | 01.6100-C1130BB0-000R | 贴片电阻 | SMD RESISTOR 11K OHM 1/10W +/-5% (0603) TAPE TYPE(ROHS) | PCS | 2 | R10,R12 |
| ..2 | 01.6100-C1220BB0-000R | 贴片电阻 | SMD RESISTOR 1.2K OHM 1/10W +/-5% (0603) TAPE TYPE(ROHS) | PCS | 1 | R3 |
| ..2 | 01.6100-C1230BB0-000R | 贴片电阻 | SMD RESISTOR 12K OHM 1/10W +/-5% (0603) TAPE TYPE(ROHS) | PCS | 1 | R74 |
| ..2 | 01.6100-C1510AB0-000R | 贴片电阻 | SMD RESISTOR 150 OHM 1/10W +/-1% (0603) TAPE TYPE(ROHS)贴片电阻 | PCS | 3 | R4,R5,R6 |
| ..2 | 01.6100-C2030AB0-000R | 贴片电阻 | SMD RESISTOR 20K OHM 1/10W +/-1% (0603) TAPE TYPE(ROHS) | PCS | 1 | R89 |
| ..2 | 01.6100-C2030BB0-000R | 贴片电阻 | SMD RESISTOR 20K OHM 1/10W +/-5% (0603) TAPE TYPE(ROHS) | PCS | 2 | R80,R82 |
| ..2 | 01.6100-C2230BB0-000R | 贴片电阻 | SMD RESISTOR 22K OHM 1/10W +/-5% (0603) TAPE TYPE(ROHS) | PCS | 4 | R76,R60,R64,R55 |
| ..2 | 01.6100-C3300BB0-000R | 贴片电阻 | SMD RESISTOR 33 OHM 1/10W +/-5% (0603) TAPE TYPE(ROHS) | PCS | 5 | R7,R8,R92,R93,R98 |
| ..2 | 01.6100-C3310BB0-000R | 贴片电阻 | SMD RESISTOR 330 OHM 1/10W +/-5% (0603) TAPE TYPE(ROHS) | PCS | 3 | R30,R51,R66 |
| ..2 | 01.6100-C4720BB0-000R | 贴片电阻 | SMD RESISTOR 4.7K OHM 1/10W +/-5% (0603) TAPE TYPE(ROHS) | PCS | 2 | R96,R97 |
| ..2 | 01.6100-C4730BB0-000R | 贴片电阻 | SMD RESISTOR 47K OHM 1/10W +/-5% (0603) TAPE TYPE(ROHS) | PCS | 5 | R9,R11,R57,R62,R67 |
| ..2 | 01.6100-C5610BB0-000R | 贴片电阻 | SMD RESISTOR 560 OHM 1/10W +/-5% (0603) TAPE TYPE(ROHS) | PCS | 1 | R18 |
| ..2 | 01.6100-C6830BB0-000R | 贴片电阻 | SMD RESISTOR 68K OHM 1/10W +/-5% (0603) TAPE TYPE(ROHS) | PCS | 1 | R54 |

| | | | | | | |
|-----|-----------------------|--------|---|-----|----|--|
| ..2 | 01.6100-C7500AB0-000R | 贴片电阻 | SMD RESISTOR 75 OHM 1/10W +/-1% (0603) TAPE TYPE(ROHS) | PCS | 3 | R1,R17,R48 |
| ..2 | 01.6100-C8210BB0-000R | 贴片电阻 | SMD RESISTOR 820 OHM 1/10W +/-5% (0603) TAPE TYPE(ROHS) | PCS | 1 | R73 |
| ..2 | 01.6100-P3300BB0-000R | 贴片排阻 | SMD RESISTOR NETWORK (33 OHM X 4)1/10W +/-5% (8P4R, 3.2 X 1.6mm)TAPE TYPE(ROHS) | PCS | 2 | RN1,RN2 |
| ..2 | 01.6100-V5030000-001R | 贴片可调电阻 | SMD ADJUSTABLE RESISTOR 50K OHM (ROHS) | PCS | 1 | VR1 |
| ..2 | 01.6200-C1010B00-000R | 贴片电容 | MLCC 100PF 50V +/-5% COG (0603) TAPE TYPE (ROHS),ELECTROLYTIC CAPACITOR贴片电 | PCS | 7 | C54,C57,C60,C98,C101,116,117 |
| ..2 | 01.6200-C1030C00-000R | 贴片电容 | MLCC 0.01UF 50V +/-10% X7R (0603) TAPE TYPE (ROHS),SMD ELECTROLYTIC CAPACITOR | PCS | 1 | C46 |
| ..2 | 01.6200-C1040E00-000R | 贴片电容 | MLCC 0.1UF 50V +80-20% Y5V (0603) TAPE TYPE (ROHS) CAPCITANCE 贴片电容 | PCS | 53 | C2,C6,11,15,20,22,23,28,30,35,C39-45,47,48,49,51,53,55,56, |
| ..2 | 01.6200-C1050E01-000R | 贴片电容 | MLCC 1UF 16V +80-20% Y5V (0603) TAPE TYPE (ROHS),SMD ELECTROLYTIC CAPACITOR贴 | PCS | 11 | C4,C5,C8,C31,C32,C76,C102,C103,C107,C108,C111 |
| ..2 | 01.6200-C1060E02-000R | 贴片电容 | MLCC 10UF 16V +80-20% Y5V (1206) TAPE TYPE (ROHS),SMD ELECTROLYTIC CAPACITOR贴 | PCS | 11 | C18,C50,C52,C59,C64,C65,C99,C100,C114,C115,C29 |
| ..2 | 01.6200-C2200B00-000R | 贴片电容 | MLCC 22PF 50V +/-5% COG (0603) TAPE TYPE (ROHS),SMD ELECTROLYTIC CAPACITOR贴片 | PCS | 2 | C68,C69 |
| ..2 | 01.6200-C2240E00-000R | 贴片电容 | MLCC 0.22UF 25V +80-20% Y5V (0603) TAPE TYPE (ROHS),ELECTROLYTIC CAPACITOR贴片 | PCS | 3 | C14,C38,C70 |
| ..2 | 01.6200-C3310B00-000R | 贴片电容 | MLCC 330PF 50V +/-5% COG (0603) TAPE TYPE (ROHS),ELECTROLYTIC CAPACITOR贴片电 | PCS | 3 | C9,C13,C67 |
| ..2 | 01.6200-C4750E01-000R | 贴片电容 | MLCC 4.7UF 25V +80-20% Y5V (1206) TAPE TYPE (ROHS),ELECTROLYTIC CAPACITOR贴片 | PCS | 2 | C26,C27 |
| ..2 | 01.6200-C6810B00-000R | 贴片电容 | MLCC 680PF 50V +/-5% COG (0603) TAPE TYPE (ROHS),ELECTROLYTIC CAPACITOR贴片电 | PCS | 3 | C1,C10,C36 |
| ..2 | 01.6200-G4760D01-000R | 钽电容 | SMD TANTALUM ELECTROLYTIC CAPACITOR 47UF 6.3V +/-20% (B TYPE) TAPE TYPE(ROHS), | PCS | 3 | C3,7,66 |
| ..2 | 01.6200-G4760D03-000R | 钽电容 | SMD TANTALUM ELECTROLYTIC CAPACITOR 47UF 10V +/-20% (B TYPE) TAPE TYPE(ROHS), | PCS | 6 | C12,C16,C17,C19,C33,C34 |
| ..2 | 01.6300-S0GS1A00-001R | 二极管 | SMD NORMAL RECTIFIER DIODE ,GS1A, 1.0 A/50V, SMA PACKAGE(ROHS) 二极管 | PCS | 1 | D4 |

| | | | | | | |
|-----|-----------------------|------------|---|-----|---|-------------------------|
| ..2 | 01.6300-SA1N4148-000R | 二极管 | NORMAL RECTIFIER DIODE 1N4148 150mA/100V SMD PACKAGE(ROHS) 二极管 | PCS | 1 | D1 |
| ..2 | 01.6300-SA1N5819-000R | 二极管 | SCHOTTKY BARRIER RECTIFIER 40V/1A(SS14) SMD PACKAGE(ROHS) 二极管 | PCS | 1 | D3 |
| ..2 | 01.6300-SB0BAV99-000R | 钳位二极管 | SMD SWITCHING DIODE, BAV99, SOT23,PHILIPS (ROHS) (此物料无料时,由编码为6300-SB0 | PCS | 6 | D2,D6,D7,D8,D9,D10 |
| ..2 | 01.6300-SS104000-000R | 贴片二极管 | SMD SCHOTTKY BARRIER DIODE ,SS1040,SOD-123(ROHS) 贴片二极管 | PCS | 1 | D5 |
| ..2 | 01.6400-N3904N00-000R | 三极管 | TRANSISTOR PMBT3904 ,NPN, SOT23(ROHS),,三极管 | PCS | 3 | Q6,Q7,Q8 |
| ..2 | 01.6500-LT102000-000R | IC | I.C. T102, VIDIO DISPLAY CONTROLLER , LQFP-100 (ROHS) | PCS | 1 | U3 |
| ..2 | 01.65MP-S0MP1541-000R | IC | I.C. MP1541DJ-LF-Z ,1.3MHz STEP-UP CONVERTER ,SOT23-5 (ROHS) | PCS | 1 | U1 |
| ..2 | 01.65NJ-SNJM3414-000R | IC | I.C. NJM3414AM-TE2,SINGLE-SUPPLY DUAL HIGH CURRENT OPERATIONAL AMPLIFIER,SOP8(R | PCS | 1 | U4 |
| ..2 | 01.6600-SA120000-000R | 贴片磁珠 | SMD FERRITE BEAD Z=120 OHM/100MHz 3A 0805 (ROHS) 贴片磁珠 | PCS | 7 | L1,L3,L4,L5,L10,L28,L29 |
| ..2 | 01.6600-SB100001-000R | 贴片电感 | SMD INDUCTOR 10uH 0805 (ROHS) 贴片电感 | PCS | 4 | L9,L11,L12,L16 |
| ..2 | 01.6600-SB100002-000R | 贴片电感 | SMD POWER INDUCTOR ,10uH,±20%,1.3A, 5.7X5.7X3mm (ROHS) 贴片电感 | PCS | 2 | L26,L27 |
| ..2 | 01.6600-SB2U7000-001R | 贴片电感 | SMD INDUCTOR 2.7UH 0805 (ROHS)贴片电感 | PCS | 3 | L2,L6,8 |
| ..2 | 01.6800-9C000030-000R | FPC座 | FFC/FPC CONNECTOR 30 PIN PITCH=0.5mm (SMD PACKAGE) TOP (ROHS) | PCS | 1 | CN1 |
| ..2 | 01.6800-9D000012-002R | 插座 | SMD WAFER 1.25mm PITCH X 12PIN, 90 DEGREE PIN, WHITE (ROHS) | PCS | 1 | CN2 |
| ..2 | 01.7500-TBP10500-000R | PCB | TFT BOARD PCB FOR PDVD-105H,2 LAYER ,123.5X30.5X1.0mm(ROHS) | PCS | 1 | PCB |
| ..2 | 01.7600-10276200-000R | 晶振 | CRYSTAL 27.000MHz HC-49S +/-20PPM 20PF (ROHS) | PCS | 1 | Y2 |
| ..1 | 02.0611-P1050000-002R | PCBA-电池连接板 | P105,BAT_CON, BATTERY CONNECT BOARD, (ROHS)电池连接板 | PCS | 1 | |

| | | | | | | |
|-----|-----------------------|--|---|-----|--------|-------------------------------|
| ..2 | 01.6900-18000100-000R | 电池连接座 | BATTERY PLUG MALE FOR PDVD-105HD,BLACK(ROHS) | PCS | 1 | CON1 |
| ..2 | 01.7203-Y0502604-000R | 连接线 | HOUSING(PH-4P) (各极展开) L = 50 ±5mm PITCH =2.0mm WIRE UL1007#26(ROHS) | PCS | 1 | |
| ..2 | 01.7500-KAP10501-001R | PCB | BATTERY CONNECT PCB,P105HD, (ROHS)键控板 | PCS | 1 | PCB |
| .1 | 02.0617-P1050000-000R | 限位开关板 P105DVD | PDVD-105HD,电池转接板,1 Layers,(ROHS) | PCS | 1 | |
| ..2 | 01.7002-S0500002-000R | 微动开关 | SMD DETECTOR SWITCH, SPVE110600,3- PIN,H=3.8mm(ROHS) | PCS | 1 | SW1 |
| ..2 | 01.7203-Y0572802-000R | 排线 | HOUSING (PH-2Y) + 90 DEGREE PIN(JC20-2P) + 45mm WIRE UL1571#28 WHITE(ROHS) | PCS | 1 | CON1 |
| ..2 | 01.7500-OAP10500-000R | PCB | OPEN/CLOSE SWITCH BOARD PCB FOR PDVD-105HD,1 LAYER(ROHS) | PCS | 1 | PCB |
| .1 | 04.0501-P1150001-001R | 结构总装 (JOB NO.:0609180) | SUNSTECH DL-PM783T,ASSEMBLY MECHANICAL PARTS FOR 7" PORTABLE DVD/MTK1389E/FUSS L | ST | 1 | |
| ..2 | 01.1107-05000500-000R | 白色防刮棉垫 | ADHESIVED TAPE COTTON SPONGE DIA.5.0 X T0.5MM - WHITE(ROHS) | PCS | 5 | FOR MAIN TOP BASE CD HOUSE |
| ..2 | 01.1512-P1010100-000R | 激光贴纸 | LASER BEAM LABEL DIA.10.0MM(ROHS) | PCS | 1 | |
| ..2 | 01.1512-P1020000-004R | 机芯线线材用贴纸 | MECHA WIRE LABEL 40.0 X W26.0MM - BALCK(ROHS) | PCS | 1.0000 | |
| ..2 | 01.2701-P1050000-033R | 主机上盖 SUNSTECH DL- PM783T(哑黑丝印) | MAIN TOP BASE -DULL BLACK PRINTING SILVER 877CI,SUNSTECH DL-PM783T (ABS) | PCS | 1.0000 | |
| ..2 | 01.2701-P1050001-026R | 显示屏前盖 7寸 SUNSTECH(丝印银 色) | MONITOR FRONT BASE 7 INCH- BRIGHT SILVER\ DULL BLACK PRINTING SILVER 877C SUNSTE | PCS | 1 | |
| ..2 | 01.2702-P1050000-037R | 主机下盖 SUNSTECH DL- PM783T(哑黑丝印 银色) | MAIN LOW BASE SUNSTECH DL-PM783T- DULL BLACK PRINTING SILVER 877C(ABS) | PCS | 1 | |
| ..2 | 01.2702-P1150001-001R | 显示屏后盖 (亮银 色丝印黑色 SUNSTECH) | MONITOR BACK BASE - BRIGHT SILVER/ (ABS) ENG BLACK " SUNSTECH " , ROHS | PCS | 1.0000 | |
| ..2 | 01.2706-P1050000-017R | CD 门开仓按键盖 | CD DOOR OPEN BUTTON COVER- BLACK (ABS) | PCS | 1 | |

| | | | | | | |
|-----|-----------------------|--------------------|--|-----|--------|--------|
| ..2 | 01.2706-P1150000-001R | CD盖-标准 (哑黑丝印银色) | CD DOOR - DULL BLACK PRINTING SILVER 877C(ABS) | PCS | 1 | |
| ..2 | 01.2708-P1050000-009R | CD开仓键(亮银色) | BOM多级展开 CD DOOR OPEN BUTTON - BRIGHT SILVER (ABS) \ 亮银色 | PCS | 1 | |
| ..2 | 01.2708-P1050000-016R | AV/POWER拨动按键 | AV "IN/OUT" & POWER "ON/OFF" BUTTON - BLACK (ABS) | PCS | 2.0000 | |
| ..2 | 01.2708-P1050000-017R | OK/方向按键 (亮银色) | "OK/DIRECTION" KEY (5 KEYS) - BRIGHT SILVER (ABS) OK/方向按键 (亮银色) | PCS | 1 | |
| ..2 | 01.2708-P1050000-018R | 播放/暂停键(亮银色) | "PLAY/PAUSE" KEY (4 KEYS) - BRIGHT SILVER (ABS) 播放/暂停键(亮银色) | PCS | 1 | |
| ..2 | 01.2708-P1050000-019R | 菜单按键(亮银色) | "MENU" KEY (2KEYS) - BRIGHT SILVER(ABS) 菜单按键(亮银色) | PCS | 1 | |
| ..2 | 01.2710-P1020000-002R | LCD关闭按键固定套 | LCD REST KEY HOLDER - BLACK (POM) | PCS | 1 | |
| ..2 | 01.2710-P1050000-007R | CD门轴固定套 | CD DOOR SHAFT HOLDER BLACK | PCS | 2 | |
| ..2 | 01.2710-P1050000-008R | OK/方向按键固定套(亮银色) | ENTER KEY HOLDER - BRIGHT SILVER (ABS) | PCS | 1 | |
| ..2 | 01.2712-P1050000-004R | 摇控器接收镜片 | REMOTE RECIEVER LENS BROWN (PMMA)(ROHS) | PCS | 1 | |
| ..2 | 01.2722-P1020000-009R | LCD关闭按键 | LCD REST KEY - BLACK (POM)(ROHS) | PCS | 1 | |
| ..2 | 01.2722-P1050000-007R | CD盖开盖锁 | CD DOOR OPEN BUTTON LOCK- BLACK (ABS)(ROHS) | PCS | 1 | |
| ..2 | 01.3003-P1050000-001R | 喇叭垫 EVA(BLACK) | SPEAKER EVA CUSHION - DIA.32 THICK 0.8MM, 喇叭垫 (ROHS) | PCS | 2.0000 | |
| ..2 | 01.3010-P1020000-001R | 主机减震脚垫 | ADHESIVED TAPE CUSHION ROOT FOR MAIN DIA. 7.8 X 1.3MM - BLACK (RUBBER)(ROHS), 主 | PCS | 4 | |
| ..2 | 01.3020-P1050000-001R | LCD减震胶垫 | ADHESIVED TAPE CUSHION FOR MONITOR DIA. 4.0 X 1.3MM - OFFWHITE (RUBBER)(ROHS)LCD | PCS | 2 | |
| ..2 | 01.3020-P1050000-006R | LCD减震胶垫(EVA) BLACK | ADHESIVED TAPE CUSHION FOR LCD L 10 X W 5 X H 1.5MM - OFFWHITE (EVA) --BLACK L | PCS | 2 | 用于LCD屏 |
| ..2 | 01.3226-P1050000-001R | CD盖转轴 | Page 16 CD DOOR SHAFT DIA.1.8 X 84.8MM - ELECTROPLATED SILVER (ABS)(ROHS) | PCS | 1 | |

| | | | | | | |
|-----|-----------------------|----------------|--|-----|------------|---|
| ..2 | 01.3228-02002005-000R | 双导铜箔（带背胶） | COPPER SHEET WITH DOUBLE SIDE TAPE L20 X W20 X T=0.05 MM(ROHS) | PCS | 1 | |
| ..2 | 01.3229-P1050000-001R | LCD与主机连接铰链(左边) | BOM多级展开 MONITOR & MAIN HINGE (LEFT)(ROHS) | PCS | 1 | |
| ..2 | 01.3229-P1050000-002R | LCD与主机连接铰链(右边) | MONITOR & MAIN HINGE (RIGHT)(ROHS) | PCS | 1 | |
| ..2 | 01.3401-00600001-001R | 3M双面胶纸 | DOUBLE SIDE TAPE WIDTH=6MM (3M) (50M/RL)(ROHS) | mm | 750.000000 | |
| ..2 | 01.3401-01200001-001R | 3M双面胶纸 | DOUBLE SIDE TAPE WIDTH = 12mm(3M)(50M/RL)(ROHS) | mm | 100.000000 | FOR FPC & MAIN LOW BASE |
| ..2 | 01.3505-P1050035-001R | 开CD盖按键压簧 | CD DOOR LOCK PRESSURE SPRING DIA. 0.35MM(ROHS) 开CD盖按键压簧 | PCS | 1 | |
| ..2 | 01.3506-P1050060-001R | CD开盖扭簧 | CD DOOR TORQUE SPRING DIA. 0.60MM(ROHS) CD开盖扭簧 | PCS | 1 | |
| ..2 | 01.39CB-01703538-NHOR | 小扁头束尾自攻加硬螺丝 | CB 1.7 X 3.5MM "HARDEN"(ROHS) | PCS | 24 | 4 PCS FOR MAIN PCB MTG 2PCB FOR LED PCB.10 FOR KONB PCB 4 FOR MONITOR PCB 2 FOR |
| ..2 | 01.39CB-01704540-NHOR | 小扁头束尾自攻加硬螺丝 | CB 1.7 X 4.5mm HARDEN(ROHS) | PCS | 6 | 1 FOR HV PCB.1 FOR LCD OFF SW 3 FOR CD DOOR OPEN KEY COVER 1 FOR BATTERY SMALL |
| ..2 | 01.39CB-01705030-NHOR | 小扁头束尾自攻加硬螺丝 | CB 1.7 X 5.0MM "HARDEN"(ROHS) | PCS | 5 | 5 FOR MONITOR ASSY |
| ..2 | 01.39CB-01710040-NHOR | 小扁头束尾自攻加硬螺丝 | CB 1.7 X 10.0MM "HARDEN"(ROHS) | PCS | 12 | 12 FOR LOW BASE |
| ..2 | 01.39CB-02005350-NHOR | 小扁头束尾自攻加硬螺丝 | CB 2.0 X 5.3MM "HARDEN"(ROHS) | PCS | 4 | 2PCS锁转轴走线边 2PCS 锁IEC天线连接器 |
| ..2 | 01.39CB-02013040-NHOR | 小扁头束尾自攻加硬螺丝 | CB 2.0 X 13.0MM "HARDEN"(ROHS) | PCS | 1 | 用于锁电池旁螺丝孔 |
| ..2 | 01.39CM-02504548-NHOR | 小扁头加硬机械牙螺丝 | CM 2.5 X 4.5MM "HARDEN"(ROHS) | PCS | 4 | 2 FOR HINGE IN MAIN TOP BASE 2 FOR HINGE IN MONITOR |

| | | | | | | |
|-----|-----------------------|----------------------------|--|-----|----------------|--|
| ..2 | 01.4501-12025000-001R | 磁铁 | MAGNET W15.0 X H2.0 X D5.0MM(ROHS) BOM多级展开 | PCS | 4.0000 | 2 PCS FOR LCD FRONT BASE 2 PCS FOR MAIN TOP BASE |
| ..2 | 01.4701-P1050000-002R | 拉杆天线(IEC 公头) L=800mm | RETRACTILITY ANTENNA (IEC) L=800mm(ROHS) | PCS | 1.000000 | |
| ..2 | 01.4704-P1050000-004R | 天线双头连接器 -- (IEC母-RCA公) | ANTENNA CONNECTOR(IEC母-RCA公)(ROHS) | PCS | 1.0000 | |
| .1 | 04.0502-P1150000-001R | 电池盒组件 (JOB NO.:0609180) | BATTERY BOX MECHANICAL PARTS -Sliver \ COOL GREY 11C (JOB NO.:0609180) | ST | 1 | |
| ..2 | 01.1101-00700903-001R | 电池海棉 | SPONGE FOR BATTERY 0.7" X 0.9"X 3MM BLACK(ROHS)电 池海棉 | PCS | 2 | |
| ..2 | 01.1304-10004003-001R | 电池胶袋 /POLYBAG | POLYBAG 10.0" X 4.0" X 0.04MM (PO) W/HD PE ROHS电池胶 袋,环保 | PCS | 1 | |
| ..2 | 01.1512-P1150000-001R | 电池盒贴纸 SUNSTECH 锂电池 | BATTERY BOX LABEL "SUNSTECH " LI-ION | PCS | 1.0000 | |
| ..2 | 01.2701-P1050002-010R | 电池上盖 (亮银色 丝印黑色) | BATTERY TOP BASE - BRIGHT SILVER ENG BLACK(ABS)(ROHS) | PCS | 1 | |
| ..2 | 01.2702-P1050002-007R | 电池下盖(亮银色) | BATTERY LOW BASE-BRIGHT SILVER (ABS)(ROHS) | PCS | 1 | |
| ..2 | 01.2712-P1050000-002R | 电池LED镜片 | BATTERY LED LENS - TRANSPARENCY (PMMA)(ROHS) | PCS | 1 | |
| ..2 | 01.2722-P1050000-010R | 电池锁合键(亮银色) | BATTERY LOCK BRIGHT-SILVER (ABS)(ROHS) | PCS | 1 | |
| ..2 | 01.3010-P1020000-001R | 主机减震脚垫 | ADHESIVED TAPE CUSHION ROOT FOR MAIN DIA. 7.8 X 1.3MM - BLACK (RUBBER)(ROHS), 主 | PCS | 4 | |
| ..2 | 01.3401-00600001-001R | 3M双面胶纸 | DOUBLE SIDE TAPE WIDTH=6MM (3M) (50M/RL)(ROHS) | mm | 10.00000 0 | |
| ..2 | 01.3401-01200001-001R | 3M双面胶纸 | DOUBLE SIDE TAPE WIDTH = 12mm(3M)(50M/RL)(ROHS) | mm | 250.0000 00 | |
| ..2 | 01.3505-P1020030-002R | 电池锁合键压簧 | BATTERY LOCK PRESSURE SPRING DIA.0.30MM(ROHS) 电池锁合键压簧 | PCS | 1 | |
| ..2 | 01.39CB-02004540-NHOR | 小扁头束尾自攻加 硬螺丝 | CB 2.0 X 4.5MM "HARDEN"(ROHS) | PCS | 4 | |

| | | | | | | |
|-----|-----------------------|----------------------------------|--|-----|----------|--|
| ..2 | 01.39CB-02013040-NHOR | 小扁头束尾自攻加硬螺丝 | CB 2.0 X 13.0MM "HARDEN"(ROHS) | PCS | 2 | |
| .1 | 04.0503-P1150003-001R | 印刷品 (JOB NO.:0609180) | BOM多级展开 PDVD-115HDATV PRINTING PARTS (JOB NO.:0619180) | ST | 1.0000 | |
| ..2 | 01.1009-P1150000-001R | 彩盒 SUNSTECH DL-PM783T 锂电池 | GIFT BOX W335 X D91 X H268 MM ENG -SUNSTECH DL-PM783T LI-ION | PCS | 1 | |
| ..2 | 01.1014-P1150000-001R | 外纸箱 SUNSTECH DL-PM783T | MASTER CARTON L385X W350 X H290MM ENG - SUNSTECH DL-PM783T | PCS | 0.2500 | |
| ..2 | 01.1502-08045000-000R | 顺序号码贴纸 | SERIAL NO.LABEL (ROHS)顺序号码贴纸 | PCS | 2.0000 | |
| ..2 | 01.1520-01500002-000R | 品质合格贴纸 (金色) | QC PASSED LABEL DIA.15.0 (GOLD) (ROHS) | PCS | 1 | |
| ..2 | 01.1600-P1150000-001R | 说明书 SUNSTECH DL-PM783T 锂电池, 英文 | INSTRUCTION BOOKLET SUNSTECH DL-PM783T LI-ION, ENGLISH, ROHS | PCS | 1 | |
| ..2 | 01.1600-P1150000-003R | 说明书 SUNSTECH DL-PM783T 锂电池, 意大利语 | INSTRUCTION BOOKLET SUNSTECH DL-PM783T LI-ION, ITALIAN, ROHS | PCS | 1 | |
| ..2 | 01.3402-04500000-002R | 透明封箱胶纸 | ADHESIVED TAPE (TRANSPARENT) (50M/RL) - WIDTH=45.0 (ROHS) | mm | 750.0000 | |
| .1 | 04.0504-P1050001-005R | 包装(NO BAG) | PDVD-105H,PACKING PARTS NO BAG (ROHS)包装 | ST | 1 | |
| ..2 | 01.1002-P1050000-001R | 纸片卡/PAPER CARD | PAPER CARD - 215 X 165 X 1.0MM (ROHS)纸片卡 | PCS | 1 | |
| ..2 | 01.1002-P1050000-002R | 纸浆盒纸片/PAPER FOR PAPER PUIP BOX | PAPER FOR PAPER PUIP BOX - 320 X 250 X 2.0MM (ROHS)纸浆盒纸片 | PCS | 1 | |
| ..2 | 01.1100-07506501-001R | 珍珠棉薄片 | PEARL SPONGE SHEET 7.5" X 6.5" X 1.0MM珍珠棉薄片,ROHS | PCS | 1 | |
| ..2 | 01.1105-10409303-001R | 珍珠棉袋 | PEARL SPONGE BAG 10.4" X 9.3" X 0.5MM W/ EPE(ROHS)珍珠棉袋 | PCS | 1 | |
| ..2 | 01.1901-P1051500-001R | 纸浆盒 | PAPER PUIP BOX - 1.5MM THK PAPER (ROHS)纸浆盒 | PCS | 1 | |
| .1 | 04.0505-RC054000-019R | RC05摇控器组件 ATV (JOB NO.:0609180) | RC05 REMOTE CONTROL(PUBLIC MOLD) - 40 KEYS FOR OVERSEAS ENG "SUNSTECH" SILVER (A | ST | 1 | |
| ..2 | 01.0801-UM4AAA00-001R | 电池/BATTERY | BATTERY UM4-AAA (MADE IN CHINA)(ROHS) | PCS | 2 | |

| | | | | | | |
|-----|-----------------------|------------------------------------|--|-----|---|---|
| ..2 | 01.1706-RC054000-019R | RC05遥控器 ATV SUNSTECH 0609180 | RC05 REMOTE CONTROL(PUBLIC MOLD) - 40 KEYS FOR OVERSEAS ENG "SUNSTECH" SILVER (A | ST | 1 | |
| .1 | 04.0507-P1050001-001R | PCBA上的结构组件 | BOM多级展开 MECHANICAL PARTS ADSSEMBLED ON PCBA (ROHS) | ST | 1 | |
| ..2 | 01.3225-P1050000-001R | 金属锅仔按键片 | METAL DOMES KEYBOARD (11 DOMES) -- DIA.6.0MM (ROHS) | ST | 1 | |
| .1 | 04.0605-P1050000-005R | 电子总装 | PDVD-105HD-ATV, ASSEMBLY ELECTRONIC PARTS, (ROHS)电子总装 | PCS | 1 | |
| ..2 | 01.7100-10801000-000R | 喇叭 | SPEAKER ,8 OHM ,1W ,DIA.=28mm(ROHS) 喇叭 | PCS | 2 | |
| ..2 | 01.7200-A0342200-000R | 导线 | WIRE 34mm ,UL1007#22 BLACK(ROHS)导线 | PCS | 1 | FROM CCFL TO PANEL |
| ..2 | 01.7200-V1450024-000R | FPC线 | FILM FLAT CABLE 24 PIN PITCH=0.5mm L=137+4+4mm(ROHS) | PCS | 1 | FROM PICK UP TO MPEG |
| ..2 | 01.7203-Y0452806-000R | 连接线 | HOUSING(51021-6Y) + HOUSING(51021-6Y) + 45mm WIRE UL1571#28 WHITE(ROHS) | PCS | 1 | FROM POWER TO MPEG |
| ..2 | 01.7203-Y1112812-000R | 连接线 | HOUSING(51021-12Y)+HOUSING(51021- 12Y)+HOUSING(51021-3Y)+110mm WIRE X9+270mm WIRE | PCS | 1 | FROM MAIN BOARD TO CCFL /TFT BOARD |
| ..2 | 01.7203-Y2012812-002R | 排线 | HOUSING(51021-12Y)+HOUSING(51021-12Y)+200mm WIRE (ROHS) | PCS | 1 | FROM MAIN BOARD TO POWER /TUNER BOARD |
| ..2 | 01.7203-Y2712804-000R | 连接线 | HOUSING(51021-4Y) + 160mm X2 WIRE + 270mmX2 WIRE UL1571#28 BLACK RED(ROHS) | PCS | 1 | FROM MPEG TO SPEAKER |
| ..2 | 01.7701-01040001-000R | 显示屏 | 7" TFT LCD MODULE ,LTA070B0C0A(ROHS) | PCS | 1 | |
| ..2 | 01.7800-10300000-001R | 机芯 | PORTABLE DVD PLAYER LOADER ,DM-520G,ENGLISH PASTER(ROHS) | PCS | 1 | |
| .1 | 04.0612-P1150000-001R | 电子类附件 0609180 | INPUT:AC90V-264V,OUTPUT: DC9.5V,1.5A,插头规格: VDE PLUG 0609180 SUNSTECH | PCS | 1 | |
| ..2 | 01.1701-06310000-028R | 电池盒 (亮银色丝 印黑色) | PDVD-105H,锂电池16310mAh BRIGHT SILVER,ROHS | PCS | 1 | |

| | | | | | | |
|-----|-----------------------|-------------------------------|---|-----|---|--|
| ..2 | 01.1707-DCAVAA00-005R | 适配器 | INPUT: AC90V-260V, OUTPUT: DC9V, 1.5A, DC线长: 1.5M, DC头直径4.0, 插头规格: VDE(| PCS | 1 | |
| ..2 | 01.1708-DC122A00-000R | 车载充电器(要有E ——MARK证书的车 充) | BOM多级展开 点烟器头,OUTPUT: DC12V,2A(ROHS) | PCS | 1 | |
| ..2 | 01.7200-W1521803-001R | AV线 | RCA,1500mm, 18#,Black,3P,Yellow/White/Red,S3.5mm,Golden,扁型插头 (ROHS) | PCS | 1 | |

BATTERY CONNECT BOARD

